

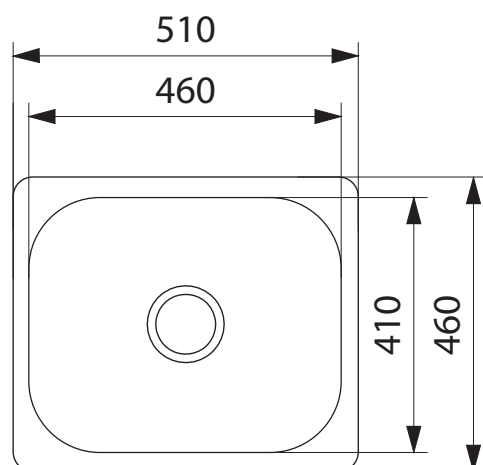
SQX 6 10

STEEL QUEEN LAUNDRY TUB



PRODUCT INFORMATION

Installation	Topmount
Dimensions	510(W) x 460(H)mm
Cabinet Base	600mm
Bowl Size	460(W) x 410(H) x 250(D)mm/41L
Cut-Out Size	Template
Cut-Out Template	Yes
Waste Outlet	Semi Integrated Waste
Overflow	No
Tap Holes	No
Remote Waste	No
Finish	Stainless Steel



IF THE MODEL CODE HAS A 'B' AT THE END, THE SINK DOES NOT INCLUDE ACCESSORIES.

LAST UPDATED: 15 NOV 2019