

## COMPACT OVENS

### SFA4301MCX 60CM CLASSIC COMPACT SPEED OVEN



EAN 8017709289270

Dimensions	597mmW x 450mmH x 548mmD
Finish	Fingerprint proof stainless steel Eclipse high visibility black glass
Total functions	12
Display	COMPACT screen
Capacity	50L
Cooking levels	3
Microwave power	1000W
Thermostat	30 - 250°C
Installation	Flush, underbench or wallmount
Programmability	Fully programmable
Cleaning	Smeg Ever Clean enamel
Lighting	1 x 40 Watt halogen
Supplied accessories	1 x Chrome grill insert 1 x Chrome shelves 1 x Glass tray
Optional accessories	GT1P-1 - Partial telescopic guides GT1T-1 - Total telescopic guides
Safety	Thermal protection system, child safety lock, controls lock
Power	220-240V, 50/60Hz 3100W 14A current
Warranty	Two years parts and labour

### SPEED OVEN

A new addition to technologies for the kitchen, Smeg's Speed Oven is primarily a multifunction oven which is supplemented with the innovative microwave technology for faster cooking times. Smeg's Speed Oven cooks approximately 30% faster than conventional cooking, giving back today's most valuable commodity – time.

### EVER CLEAN ENAMEL

The superior quality of Smeg's patented Ever Clean enamel, which is highly durable and easy to clean, is the result of nearly 70 years of enameling expertise; ensuring long-life performance of every Smeg oven.



### COMPACTSCREEN

Easy to use, the COMPACTscreen is an intuitive display to effortlessly set cooking programs. The left knob allows you to choose from a variety of cooking functions, whilst the right knob allows you to select the suitable temperature to achieve optimal results.

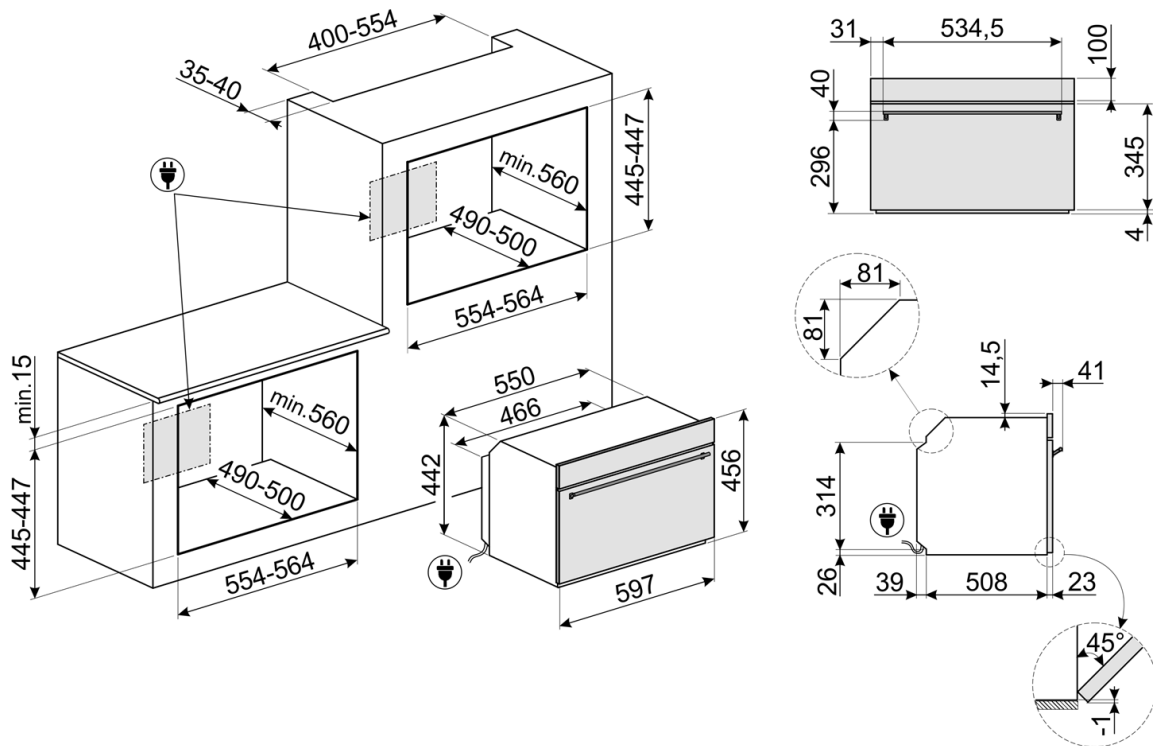
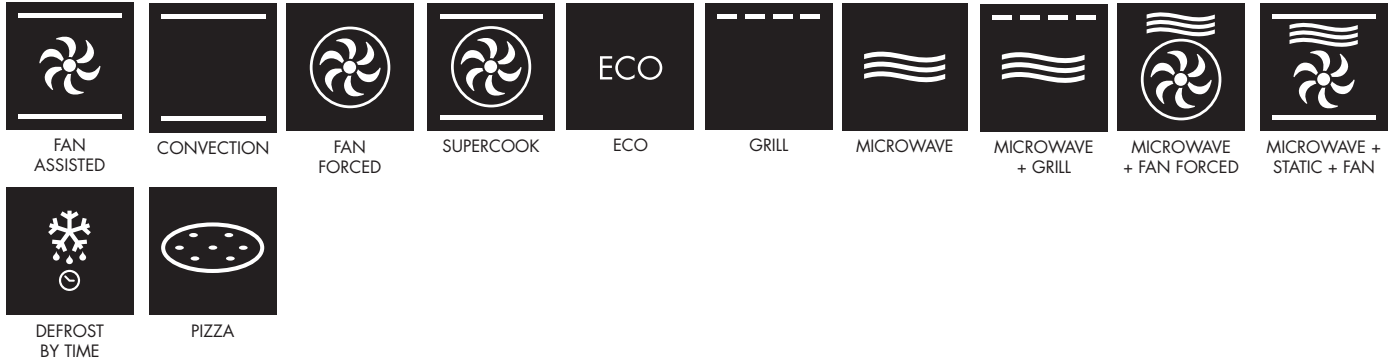


ID200323

COMPACT OVENS

**SFA4301MCX**  
60CM CLASSIC COMPACT SPEED OVEN

FUNCTIONS:



PLEASE NOTE: Drawings are not to scale. They are to assist only.

CABINETRY: Cut-outs are indicated for proud mounting. For flush mounting please refer to a specialist installer.

VENTILATION: Ovens and compact ovens require a 35-40mm ventilation gap at the rear of the cabinet.

WARNING: technical specifications and product sizes can be varied by the manufacturer, without notice. Cutouts for appliances should only be by physical product measurements. The above information is indicative only.