

**Miele**

K 2601 Vi



K 2601 Vi

MasterCool refrigerator

For high-end design and technology on a large scale.



- Push2open for convenient door-opening assistance
- Food stays fresh for up to 3 x longer thanks to MasterFresh
- Light floods the interior thanks to LED elements – BrilliantLight
- Communication with appliances couldn't be easier – WiFiConn@ct
- Convenient control thanks to colour touch display MasterSensor

Price \$ 13,999.00\*

\* GST inclusive

<b>Construction type</b>	
Built-in appliance	•
Integrated appliance	•
Convertible door hinging	•
Side-by-side enabled	•
<b>Design</b>	
Lighting	BrilliantLight
<b>User convenience</b>	
Freshness system	MasterFresh
DynaCool	•
SelfClose	•
Push2open	•
FullAccess	•
EasyClean	•
MaxLoad hinge	•
<b>Controls</b>	
Operating concept	MasterSensor
Automatic SuperCool	•
No. of temperature zones	2
Sabbath mode	•
<b>Fridge/Fridge section</b>	
Height-adjustable tempered glass shelves	2
No. of vegetable drawers	1
No. of crisper drawers	2
SlidingShelf	•
Door shelves for jars	1
Door rack for bottles	3
<b>Appliance networking</b>	
Miele@home	•
WiFiConn@ct	•
MobileControl	•
<b>Safety</b>	
Lock function	•
Spill guard	•
Acoustic door alarm	•
Acoustic temperature alarm, freezer section	•
Optical door alarm	•
Optical temperature alarm	•

K 2601 Vi

MasterCool refrigerator

For high-end design and technology on a large scale.

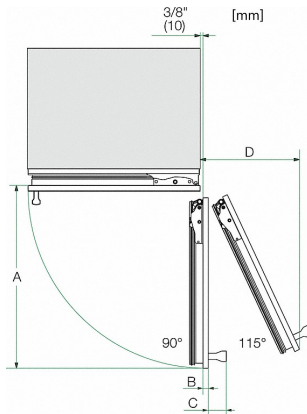


<b>Technical data</b>	
Niche depth in mm	550
Appliance width in mm	597
Appliance height in mm	2,127
Appliance depth in mm	610
Weight in kg	140.40
Max. door front weight – refrigerator, in kg	48
Voltage in V	220-240
Fuse rating in A	10
Length of supply lead in m	3.0
<b>Standard accessories</b>	
Active AirClean filter	•

K 2601 Vi

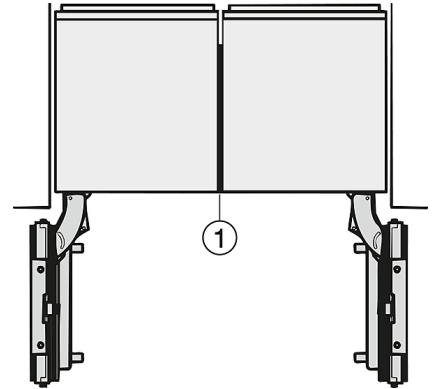
MasterCool refrigerator

For high-end design and technology on a large scale.



Opening angle 90°/115°, right side stop, MasterCool (Sketch) \*footnote

- A) Appliance door width  
 F 2461 Vi: 525 mm (20 2/3 inch);  
 F 2462 Vi: 525 mm (20 2/3 inch);  
 K 2601 Vi, K 2601 SF, F 2661 Vi, KWT 2601 Vi, KWT 2601 SF, KWT 2661 ViS, KWT 2661 SFS: 677 mm (26 2/3 inch);  
 K 2602 Vi, K 2602 SF, F 2662 Vi, KWT 2602 Vi, KWT 2602 SF, KWT 2662 ViS, KWT 2662 SFS: 677 mm (26 2/3 inch);  
 K 2801 Vi, K 2801 SF, F 2801 Vi, KF 2801 Vi, KF 2801 SF: 829 mm (32 2/3 inch);  
 K 2802 Vi, K 2802 SF, F 2802 Vi, KF 2802 Vi, KF 2802 SF: 829 mm (32 2/3 inch);  
 K 2901 Vi, K 2901 SF, F 2901 Vi, KF 2901 Vi, KF 2901 SF: 982 mm (38 2/3 inch);  
 K 2902 Vi, K 2902 SF, F 2902 Vi, KF 2902 Vi, KF 2902 SF: 982 mm (38 2/3 inch);  
 B) Furniture front (max. 38 mm) (1 1/2 inch)  
 C) Door handle  
 D) Distance door to wall (without furniture front and door handle):  
 F 2461 Vi: 237 mm (9 1/3 inch);  
 F 2462 Vi: 237 mm (9 1/3 inch);  
 K 2601 Vi, K 2601 SF, F 2661 Vi, KWT 2601 Vi, KWT 2601 SF, KWT 2661 ViS, KWT 2661 SFS: 296 mm (11 2/3 inch);  
 K 2602 Vi, K 2602 SF, F 2662 Vi, KWT 2602 Vi, KWT 2602 SF, KWT 2662 ViS, KWT 2662 SFS: 296 mm (11 2/3 inch);  
 K 2801 Vi, K 2801 SF, F 2801 Vi, KF 2801 Vi, KF 2801 SF: 363 mm (14 1/3 inch);  
 K 2802 Vi, K 2802 SF, F 2802 Vi, KF 2802 Vi, KF 2802 SF: 363 mm (14 1/3 inch);  
 K 2901 Vi, K 2901 SF, F 2901 Vi, KF 2901 Vi, KF 2901 SF: 428 mm (16 7/8 inch);  
 K 2902 Vi, K 2902 SF, F 2902 Vi, KF 2902 Vi, KF 2902 SF: 428 mm (16 7/8 inch)  
 E) ONLY valid for SF versions: A + 25 mm (1 inch)



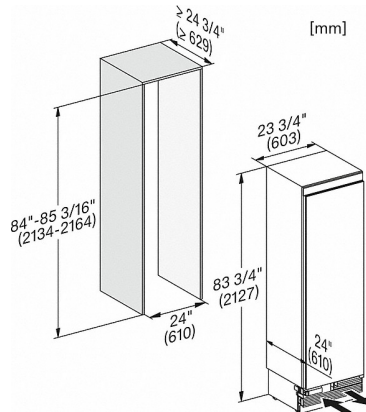
Side-by-side, MasterCool, without partition wall, with heating mat (Sketch) (with footnote)

- 1) Heating mat KSK 2001 (EU, AUS, CN) or KSK 2002 (US, CA, MX, BR)

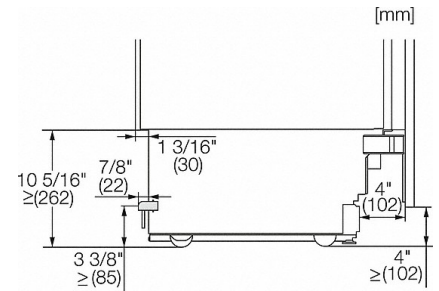
K 2601 Vi

MasterCool refrigerator

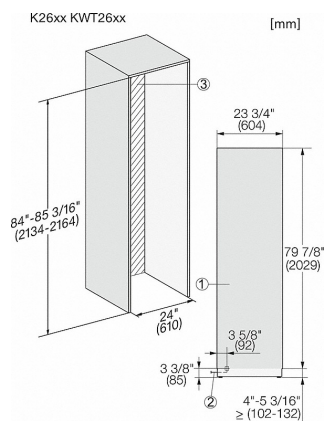
For high-end design and technology on a large scale.



K2602Vi, K2612Vi, K2601Vi, K2611Vi, installation, MasterCool, installation drawings (US, CA, AU)

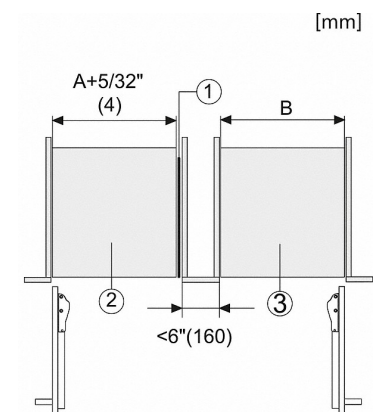


Sideview, MasterCool, Sketch



Installation, installation, MasterCool, \*footnote, installation drawings (US, CA, AU)

1. View from the front
2. Mains connection cable, L = 3000 mm (118 inch)
3. No water/ELT connections permitted in this area



Side-by-Side, MasterCool, footnote, installation drawings

1. KSK 2001/2002
  2. Device A
  3. Device B
- A = niche device A  
B = niche device B

**Miele Australia Pty Ltd**

ACN 005 635 398  
ABN 96 005 635 398

**Miele Australia Pty Ltd**

Head Office  
1 Gilbert Park Drive  
Knoxfield VIC 3180

Telephone: 1300 4 MIELE (1300 464 353)

[www.miele.com.au](http://www.miele.com.au)

**Miele Experience Centre Knoxfield**

1 Gilbert Park Drive  
Knoxfield VIC 3180

**Miele Experience Centre  
South Melbourne**

206-210 Coventry Street  
South Melbourne VIC 3205

**Miele Experience Centre  
and Office Sydney**

3 Skyline Place  
Frenchs Forest NSW 2086

**Miele Experience Centre Brisbane**

Tenancy 4C, 63 Skyring Terrace  
Newstead QLD 4006

**Miele Experience Centre Gold Coast**

131 Ferry Road  
Southport QLD 4215

**Miele Experience Centre  
and Office Adelaide**

83-85 Sir Donald Bradman Drive  
Hilton SA 5033

**Miele Experience Centre  
and Office Perth**

205-207 Stirling Highway  
Claremont WA 6010

**Miele New Zealand Limited**

IRD 98 463 631

**Miele New Zealand Limited**

Head Office  
Level 2, 10 College Hill  
Freemans Bay, Auckland 1011

Telephone: 0800 4 MIELE (0800 464 353)

[www.miele.co.nz](http://www.miele.co.nz)

**Miele Experience Centre Auckland**

8 College Hill  
Freemans Bay Auckland 1011

**Miele Experience Centre Wellington**

183 Featherston Street  
Wellington 6011

**Miele & Cie. KG**

Carl-Miele-Straße 29  
33332 Gütersloh  
Postfach, 33325 Gütersloh  
Telefon +49 5241 89-0  
Telefax +49 5241 89-2090  
E-Mail: [info@miele.de](mailto:info@miele.de)



[shop.miele.com.au](http://shop.miele.com.au)



[shop.miele.co.nz](http://shop.miele.co.nz)