

Miele

F 2671 Vi



F 2671 Vi

MasterCool freezer

For high-end design and technology on a large scale.



- Push2open for convenient door-opening assistance
- Light floods the interior thanks to LED elements – BrilliantLight
- Ice and cooled water dispensers for maximum convenience
- Communication with appliances couldn't be easier – WiFiConn@ct
- Convenient control thanks to colour touch display MasterSensor

Price \$ 14,999.00*

* GST inclusive

Appliance category	
Freezer	•
Construction type	
Built-in appliance	•
Integrated appliance	•
Convertible door hinging	•
Side-by-side enabled	•
Design	
Lighting	BrilliantLight
User convenience	
NoFrost	•
Push2open	•
FullAccess	•
EasyClean	•
MaxLoad hinge	•
Controls	
Operating concept	MasterSensor
SuperFreeze	•
No. of temperature zones	1
Sabbath mode	•
Fridge/Fridge section	
Door baskets – small	1
Door baskets – large	3
Freezer/Freezer section	
Through-the-door ice and water dispensing	•
No. of shelves/surfaces	2
Number of freezer baskets	2
Appliance networking	
Miele@home	•
WiFiConn@ct	•
MobileControl	•
Safety	
Lock function	•
Acoustic door alarm	•
Acoustic temperature alarm, freezer section	•
Optical door alarm	•
Optical temperature alarm	•

F 2671 Vi

MasterCool freezer

For high-end design and technology on a large scale.

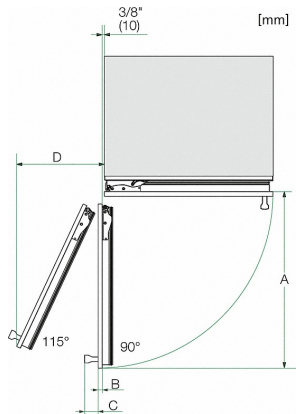


Technical data	
Niche depth in mm	550
Appliance width in mm	597
Appliance height in mm	2,127
Appliance depth in mm	610
Weight in kg	152.00
Max. door front weight – refrigerator, in kg	68
Voltage in V	220-240
Fuse rating in A	10
Length of supply lead in m	3.0

F 2671 Vi

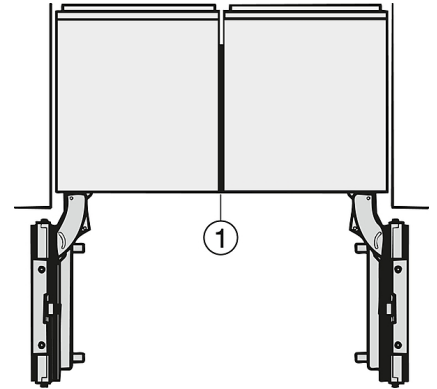
MasterCool freezer

For high-end design and technology on a large scale.



Opening angle 90°/115°, right side stop, MasterCool (Sketch) with footnote

- A) Appliance door
 F 2411 Vi, F 2411 SF, F 2471 Vi, F 2471 SF: 525 mm (20 2/3 inch);
 F 2412 Vi, F 2412 SF, F 2472 Vi, F 2472 SF: 525 mm (20 2/3 inch);
 K 2611 Vi, F 2671 Vi, F 2671 SF, KWT 2611 Vi, KWT 2611 SF, KWT 2671 ViS: 677 mm (26 2/3 inch);
 K 2612 Vi, F 2672 Vi, F 2672 SF, KWT 2612 Vi, KWT 2612 SF, KWT 2672 ViS: 677 mm (26 2/3 inch);
 K 2811 Vi, K 2811 SF, F 2811 SF, F 2811 Vi, KF 2811 Vi, KF 2811 SF: 829 mm (32 2/3 inch);
 K 2812 Vi, K 2812 SF, F 2812 SF, F 2812 Vi, KF 2812 Vi, KF 2812 SF: 829 mm (32 2/3 inch);
 K 2911 Vi, K 2911 SF, F 2911 Vi, F 2911 SF, KF 2911 Vi, KF 2911 SF: 982 mm (38 2/3 inch);
 K 2912 Vi, K 2912 SF, F 2912 Vi, F 2912 SF, KF 2912 Vi, KF 2912 SF: 982 mm (38 2/3 inch);
 B) Furniture front (max. 38 mm) (1 1/2 inch)
 C) Door handle
 D) Distance from the door to the wall (without furniture front and door handle):
 F 2411 Vi, F 2411 SF, F 2471 Vi, F 2471 SF: 237 mm (9 1/3 inch);
 F 2412 Vi, F 2412 SF, F 2472 Vi, F 2472 SF: 237 mm (9 1/3 inch);
 K 2611 Vi, F 2671 Vi, F 2671 SF, KWT 2611 Vi, KWT 2611 SF, KWT 2671 ViS: 296 mm (11 2/3 inch);
 K 2612 Vi, F 2672 Vi, F 2672 SF, KWT 2612 Vi, KWT 2612 SF, KWT 2672 ViS: 296 mm (11 2/3 inch);
 K 2811 Vi, K 2811 SF, F 2811 SF, F 2811 Vi, KF 2811 Vi, KF 2811 SF: 363 mm (14 1/3 inch);
 K 2812 Vi, K 2812 SF, F 2812 SF, F 2812 Vi, KF 2812 Vi, KF 2812 SF: 363 mm (14 1/3 inch);
 K 2911 Vi, K 2911 SF, F 2911 Vi, F 2911 SF, KF 2911 Vi, KF 2911 SF: 428 mm (16 7/8 inch);
 K 2912 Vi, K 2912 SF, F 2912 Vi, F 2912 SF, KF 2912 Vi, KF 2912 SF: 428 mm (16 7/8 inch);
 E) ONLY valid for SF versions: A + 25 mm (1 inch)



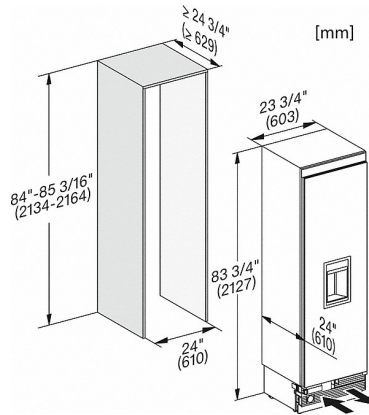
Side-by-side, MasterCool, without partition wall, with heating mat (Sketch) (with footnote)

- 1) Heating mat KSK 2001 (EU, AUS, CN) or KSK 2002 (US, CA, MX, BR)

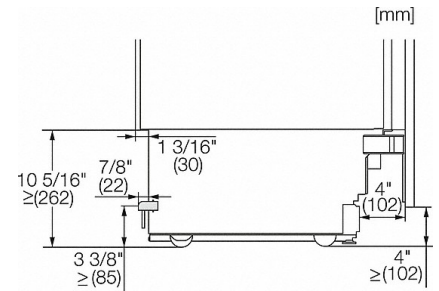
F 2671 Vi

MasterCool freezer

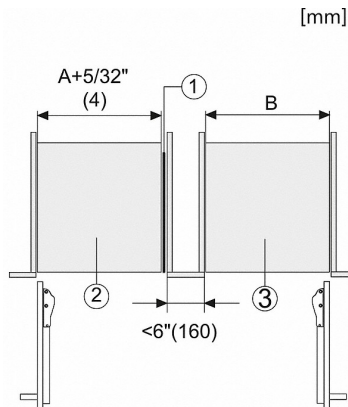
For high-end design and technology on a large scale.



F2672Vi, F2662Vi, F2671Vi, F2661Vi, installation, MasterCool (installation drawings)

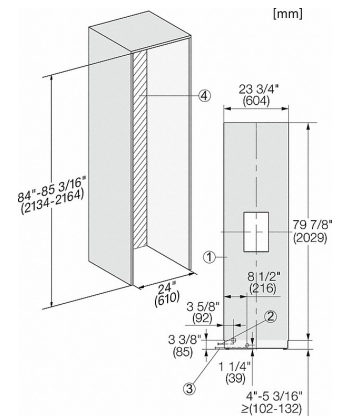


Sideview, MasterCool, Sketch



Side-by-Side, MasterCool, footnote, installation drawings

1. KSK 2001/2002
2. Device A
3. Device B
- A = niche device A
- B = niche device B



F2672Vi, F2672SF, F2662Vi, F2671Vi, F2671SF, F2661Vi, MasterCool, installation, installation drawings

1. View from the front
2. Mains Connection cable, L = 3000 mm (118 inch)
3. Water inlet position, L = 2000mm (not for KON USA)
4. No water/ELT connections permitted in this area

Miele Australia Pty Ltd

ACN 005 635 398
ABN 96 005 635 398

Miele Australia Pty Ltd

Head Office
1 Gilbert Park Drive
Knoxfield VIC 3180

Telephone: 1300 4 MIELE (1300 464 353)

www.miele.com.au

Miele Experience Centre Knoxfield

1 Gilbert Park Drive
Knoxfield VIC 3180

**Miele Experience Centre
South Melbourne**

206-210 Coventry Street
South Melbourne VIC 3205

**Miele Experience Centre
and Office Sydney**

3 Skyline Place
Frenchs Forest NSW 2086

Miele Experience Centre Brisbane

Tenancy 4C, 63 Skyring Terrace
Newstead QLD 4006

Miele Experience Centre Gold Coast

131 Ferry Road
Southport QLD 4215

**Miele Experience Centre
and Office Adelaide**

83-85 Sir Donald Bradman Drive
Hilton SA 5033

**Miele Experience Centre
and Office Perth**

205-207 Stirling Highway
Claremont WA 6010

Miele New Zealand Limited

IRD 98 463 631

Miele New Zealand Limited

Head Office
Level 2, 10 College Hill
Freemans Bay, Auckland 1011

Telephone: 0800 4 MIELE (0800 464 353)

www.miele.co.nz

Miele Experience Centre Auckland

8 College Hill
Freemans Bay Auckland 1011

Miele Experience Centre Wellington

183 Featherston Street
Wellington 6011

Miele & Cie. KG

Carl-Miele-Straße 29
33332 Gütersloh
Postfach, 33325 Gütersloh
Telefon +49 5241 89-0
Telefax +49 5241 89-2090
E-Mail: info@miele.de



shop.miele.com.au



shop.miele.co.nz