



**MITSUBISHI
ELECTRIC**

Refrigeration

WX SERIES MULTI-DRAWER
PRODUCT FLYER



WX Series

MULTI DRAWER

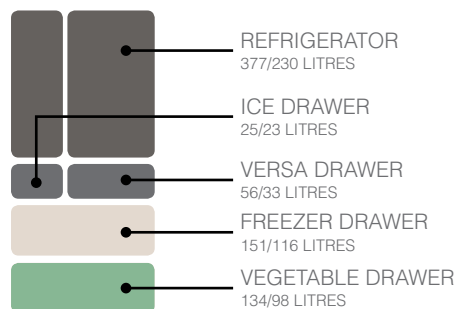


The WX Series has an increased internal capacity with slim external dimensions, thanks to its unique VIP (Vacuum Insulation Panel) and Smart Cube Technology. The luxury glass door finish completes the modern design. The MR-WX743C features a 4.0 Star Energy Rating which will assist in reducing power consumption costs over time.

Available in 743 and 500 litres catering for various kitchen sizes. The MR-WX500C is designed with a reduced height and width, to easily fit into a compact fridge cavity of 660mm width.

TOTAL CAPACITY

743/500 LITRES



Dimensions

MR-WX743C

H 1821 x W 800 x D 748mm

MR-WX500C

H 1696 x W 650 x D 709mm

MR-WX743C / MR-WX500C FEATURES

- » Multi Airflow System
- » LED Light
- » Power Save Mode
- » Temperature Sensors
- » Auto Closer
- » Smooth Case Roller
- » Antibacterial & Deodoriser
- » 2 Adjustable Feet
- » Frost Free
- » Separable Shelf (MR-WX743C)
- » Two-Way Flexi Glass Shelf
- » Inverter Technology
- » Wide Chilling Case
- » Quick Ice Making
- » Sliding Top Tray
- » Supercool Chilling Case
- » Neuro Fuzzy Logic
- » Egg Tray
- » Completely Washable Ice Tray Parts
- » VitaLED
- » Multi Temperature Setting
- » ECO Mode
- » Constant Humidity Case
- » Soft Freezing
- » Hot Freezing
- » ECO Guide
- » Bottle Pockets



Supercool Chilling Case

The Supercool chilling function is ideal for storing meat, fish, or other perishable food without freezing it. This provides the convenience of food ready to cook without the need to defrost it.



Vegetable Drawer

VitaLED lighting system slows down the wilting process, keeping fruit and vegetables crisper and fresher for longer. The vegetable drawer features a tray at the top which is ideal for storage and organisation of smaller items such as fruit.



Automatic Ice Maker

There is no need for a separate plumbing connection. The removable water tank can be filled with water and all the parts are completely washable.



Clean Tray

The Clean Tray was designed to keep the vegetable drawer clean with a 99% anti bacterial hybrid nano coating. This Clean Tray prevents dirt from sticking to the tray and is removable for easy cleaning. (MR-WX743C only)



Versa Drawer

The Versa Drawer offers the ultimate functionality in preserving food quality without losing moisture and taste. The Versa Drawer has two main modes, Supercool Freezing and Hot Freezing.



Hot Freezing*

The LED Sensor is designed to detect hot food and adjust the cold air flow directly onto the hot food. This saves time while also preserving the quality and freshness of the food.



Soft Freezing*

Soft Freezing allows food to be frozen for up to three weeks in a 'soft' state. This means meat can be easily cut without thawing.



Supercool Freezing*

Ensures food is frozen evenly, minimising cell destruction, preserving its freshness, texture and locking in maximum flavour.

*Please note these modes must be manually set in order to function.

MR-WX743C

743 Litres



Dark Mahogany*

MR-WX500C

500 Litres



Diamond White



Argent Silver

*MR-WX743C only

- » Aluminium Tray
- » Door Alarm
- » Adjustable Door Pockets
- » External LED Touch Control Panel
- » Super Quiet Operation (15dBA)
- » Clean Tray (MR-WX743C)





MR-WX743C



MR-WX500C

Specifications

		MR-WX743C	MR-WX500C
Capacity (L) Gross	Total	743	500
	Freezer Compartment	151	116
	Ice Making Compartment	25	23
	Refrigerator Compartment	377	230
	Versa Compartment	56	33
	Vegetable Compartment	134	98
Dimensions (mm)	Height	1821	1696
	Width	800	650
	Max Depth	748	709
Clearance Dimensions (mm)	Top	50	25
	Left	5	5
	Right	5	5
Energy Star Rating		4.0 Stars	4.0 Stars
Energy Consumption (kW/h per year)		430	345
Colour Options	Dark Mahogany	•	
	Diamond White	•	•
	Argent Silver	•	•
Glass Door Finish		•	•



10 Year Compressor Warranty

Mitsubishi Electric Inverter refrigerators are backed by a comprehensive 5 year parts and labour warranty and a 10 year parts warranty on the Inverter compressor. See website for full Terms and Conditions.



Frige Finder App

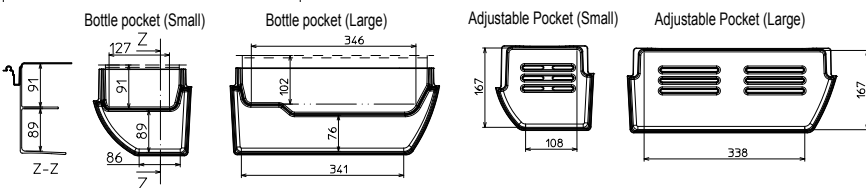
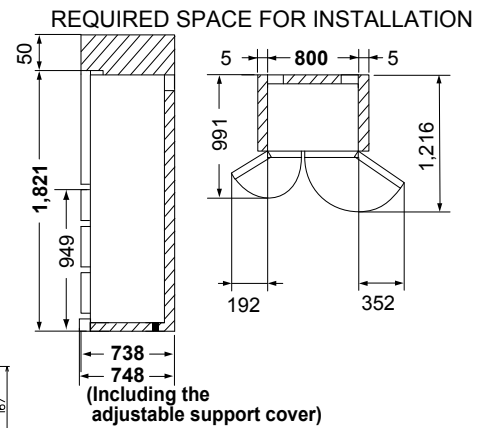
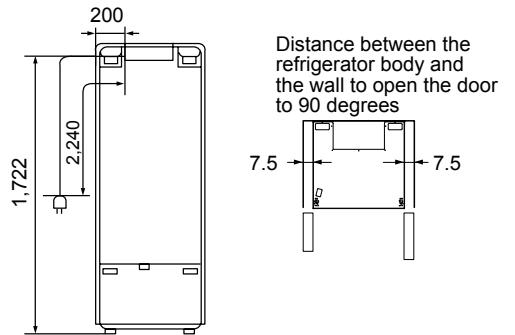
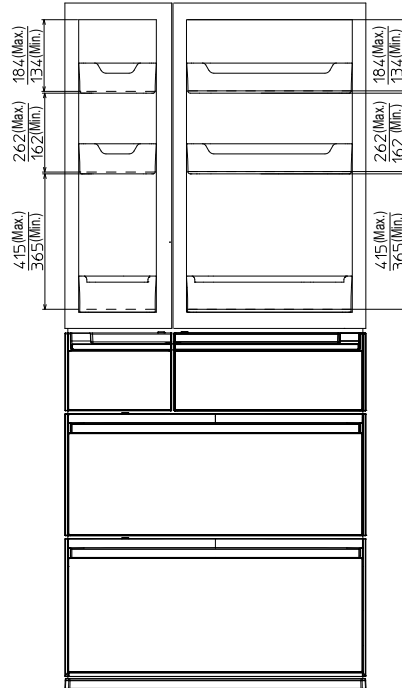
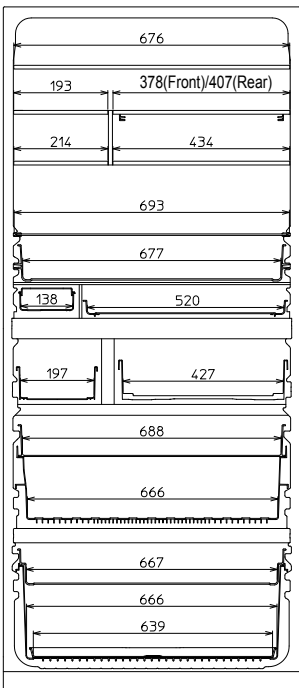
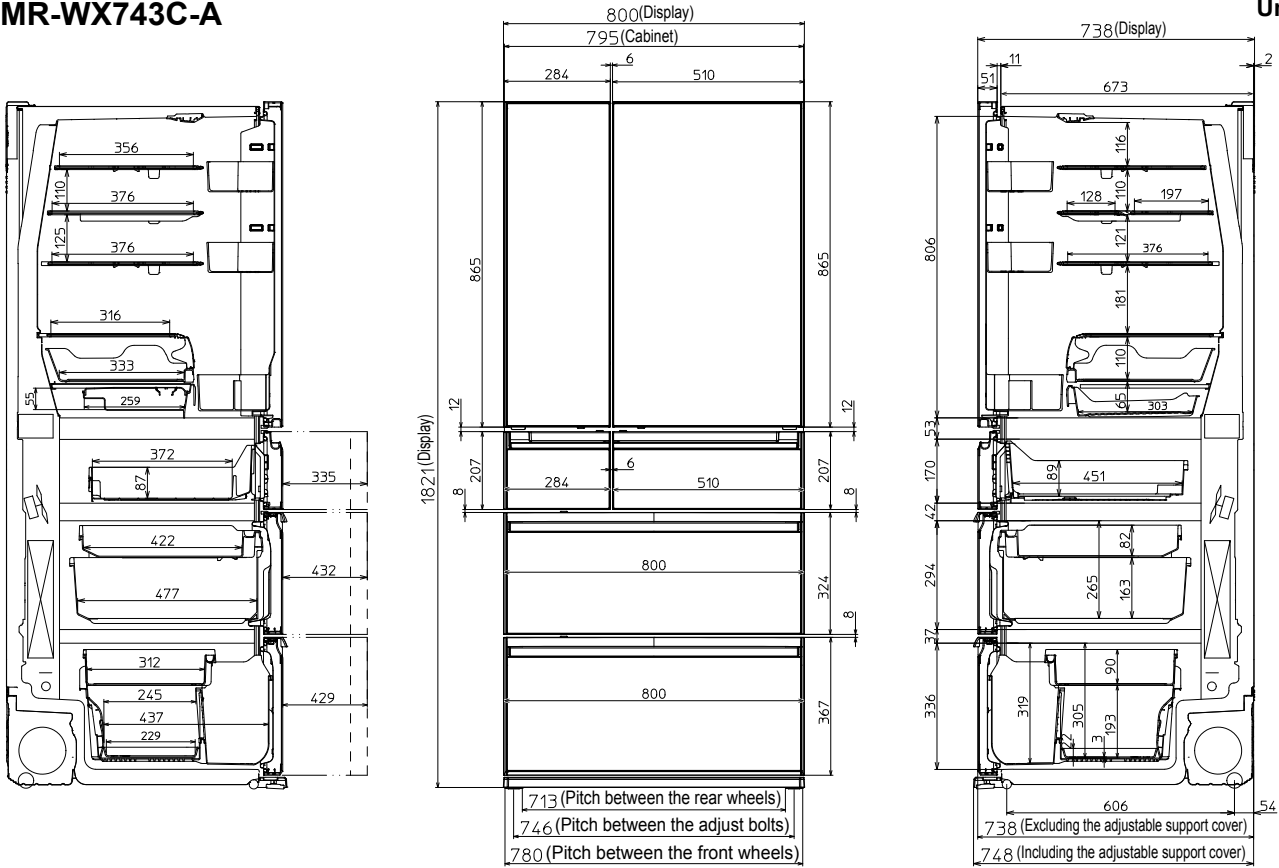
Available to download from the App Store



MitsubishiElectric.com.au

MR-WX743C-A

Unit: mm



DOOR DIMENSION

	R(L)	R(R)	I	S	F	V
Height	865	865	207	207	324	367
Width	284	510	284	510	800	800

- R(L) : Refrigerator compartment (Left)
- R(R) : Refrigerator compartment (Right)
- I : Ice making compartment
- S : Select compartment [Versa compartment]
- F : Freezer compartment
- V : Vegetable compartment