

Product

- Taut shower or bath mixer only - Thin
- Taut shower and bath mixer with diverter - Thin

Kohler Code

27914A-CP
27915A-CP

**Included Components**

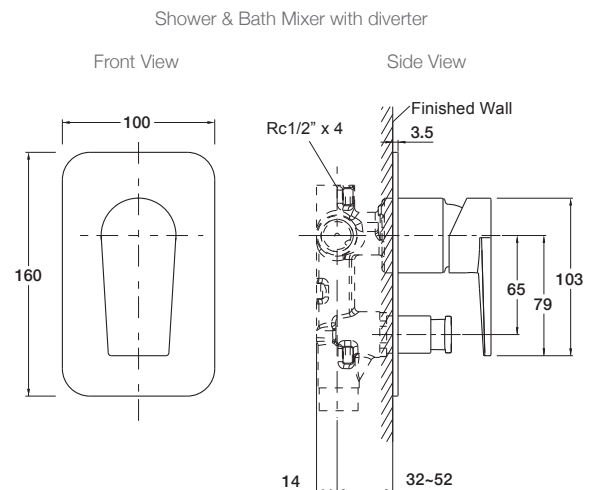
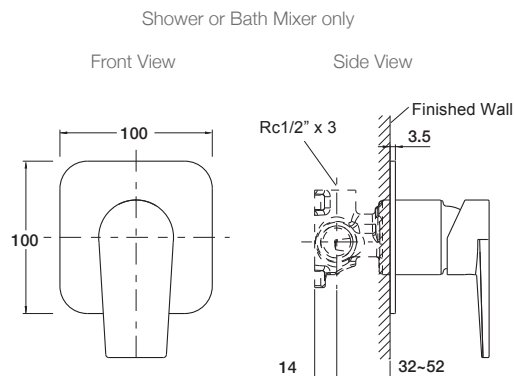
- In wall valve
- Trim kit

Features

- Diverter version allows water to be delivered through a bath spout or shower.
- Polished chrome
- 40mm ceramic disc valve
- Suitable for mains pressure
- KOHLER finishes resist tarnishing and corrosion

Related Products

- Taut tapware

Technical Details**Installation Notes:**

- Rc1/2" female inlets and outlets
- Default diverter setting is for bottom outlet (Bath). Pull diverter knob for top outlet (Shower).
- Optimum working pressure 300-500 kPa.
- Maximum hydrostatic pressure 800 kPa (This pressure may be exceeded only under test conditions).
- Where normal working pressure exceeds the maximum, pressure limiting valves should be installed.
- Maximum working temperature 60°C.
- For optimum installation it is important that the valve is installed plumb on both horizontal and vertical planes.
- Inline filters should be used to protect tapware from debris that may be present within the plumbing.