

SFA4303VCPX 60CM CLASSIC COMPACT COMBI-STEAM OVEN



VAPOUR CLEAN

Smeg's Combi-steam oven brings professional sous vide cooking to the home. Slow cook delicious, restaurant-quality meals that are infused with flavour and finesse.



SMART COOKING

Smeg's intuitive Smart Cooking program allows users to effortlessly select oven functions, temperature and cooking time. Smart cooking offers 100 automatic recipes for simple operation. Select the dish you want to cook from the menu, enter the weight and the oven does the rest - resulting in perfectly cooked meals every time. The My recipes feature also allows you to store up to 64 of your favourite dishes into the memory of the oven. The cooking function, temperature, time and your own name for the dish will be saved, making the oven quick and simple to use for everyone.

TEMPERATURE PROBE

No two cuts of meat or poultry are alike. So when guests arrive, ensure a juicy and tender roast is on the dinner table everytime with this precision cooking tool.



VIVOSCREEN

Smeg presents a brand new full colour, touch control VIVOscreen is a comprehensive display allowing easy navigation and program selection. Intuitive, easy to read and simple to use, high definition images illustrate the extensive range of automatic programs available for smart cooking. Helpful pop up explanations appear once an item on the display is held down for 3 seconds.

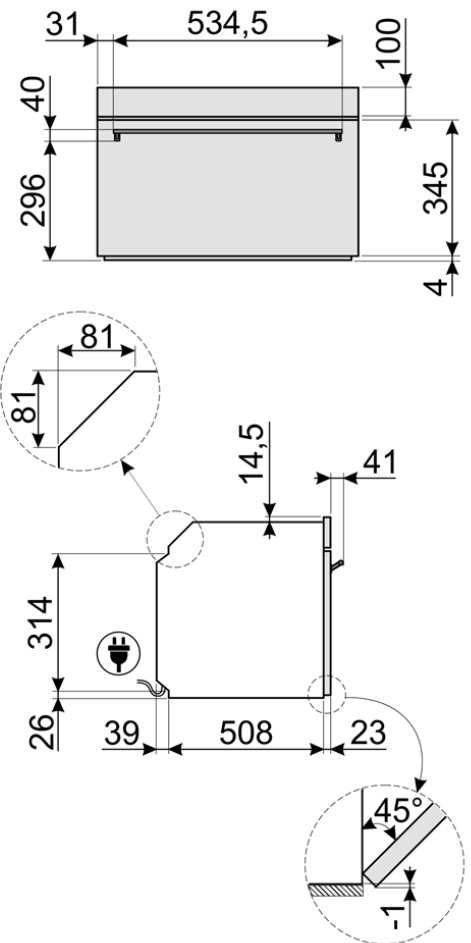
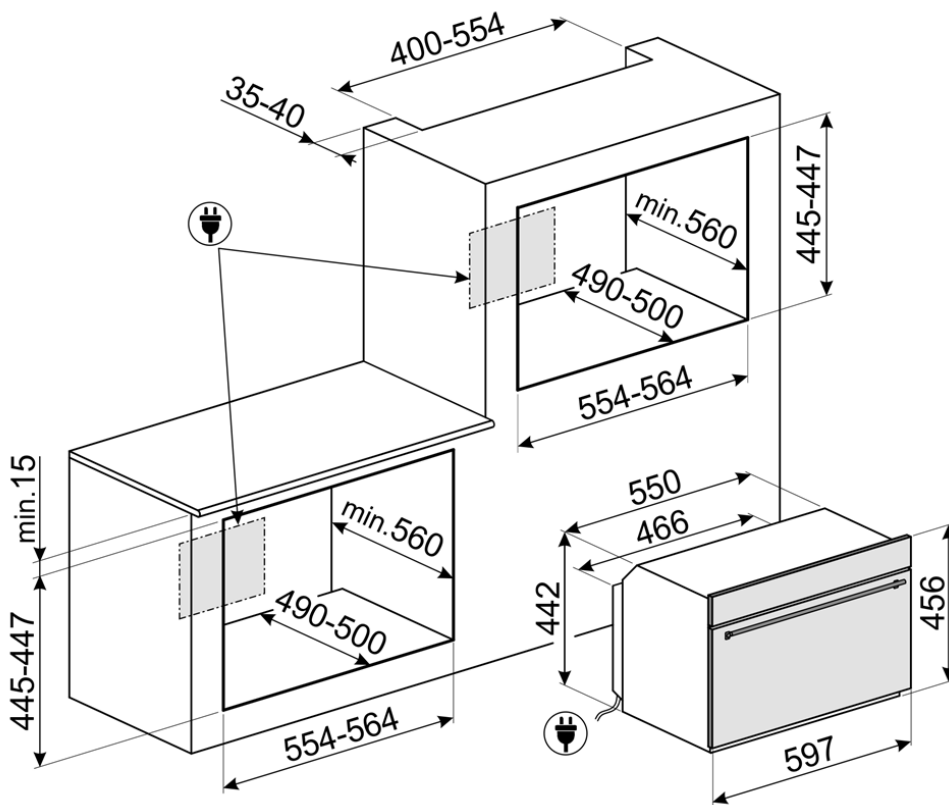
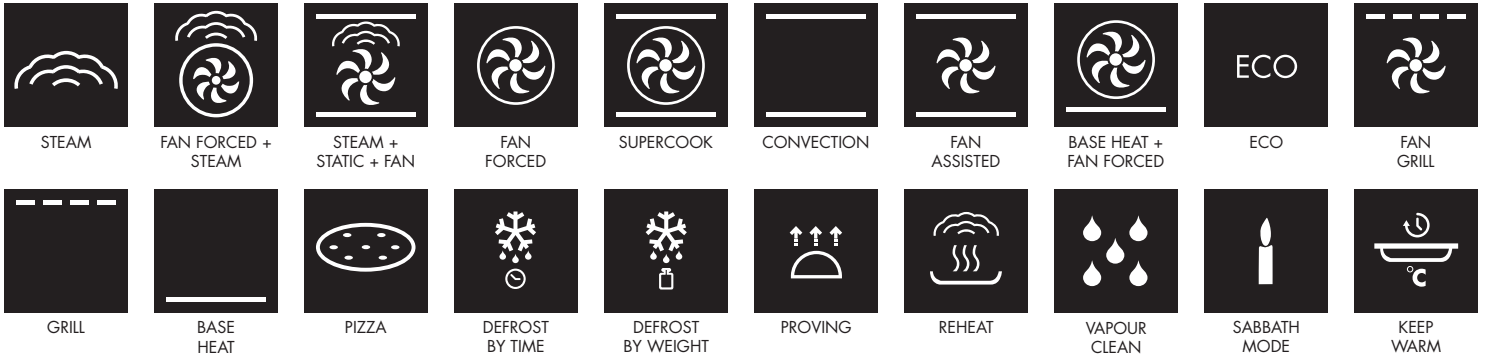
EAN 8017709289294

Dimensions	597mmW x 450mmH x 548mmD
Finish	Fingerprint proof stainless steel Eclipse high visibility black glass
Total functions	16 + 65 SmartSense Plus auto menus incl. Sabbath mode, defrost, proving and keep warm
Display	VIVOscreen
Capacity	50L
Cooking levels	3
Thermostat	30 - 250°C
Water tank capacity	1.2L
Installation	Built-in
Programmability	Fully programmable
Cleaning	Vapour Clean
Lighting	1 x 40 Watt halogen
Supplied accessories	1 x Chrome insert 1 x Chrome shelves 1 x 40mm enamelled baking tray 1 x 20mm stainless steel tray 1 x 40mm perforated stainless steel tray 1 x GT1P-2 - Partial telescopic guides 1 x Sponge 1 x Temperature probe
Optional accessories	GT1T-2 - Total telescopic guides PALPZ - Pizza shovel PPR2 - Pizza stone without handles PRTX - Pizza stone with handles
Safety	Soft Close door, thermal protection system, child safety lock, controls lock, steam stop
Power	220-240V, 50/60Hz 3100W 14A current
Warranty	Two years parts and labour

ID200317

STEAM OVENS

SFA4303VCPX
60CM CLASSIC COMPACT COMBI-STEAM OVEN



PLEASE NOTE: drawings are not to scale. They are to assist only.
WARNING: technical specifications and product sizes can be varied by the manufacturer without notice.
Cutouts for appliances should only be by physical product measurements. The above information is indicative only.

ID200317