

## SFPA6301TVN 60CM CLASSIC THERMOSEAL PYROLYTIC OVEN



### THERMOSEAL

The seal of Smeg's quality, technical excellence and taste: succulent roasts, crisp pastry and impressive baking is achieved in Smeg's unique, perfectly controlled cooking environment. Thermoseal maintains the perfect atmospheric balance in the cavity for optimum cooking conditions.



### COMPACTSCREEN

Easy to use, the COMPACTscreen is an intuitive display to effortlessly set cooking programs. The left knob allows you to choose from a variety of cooking functions, whilst the right knob allows you to select the suitable temperature to achieve optimal results.

## EAN 8017709290443

Dimensions	597mmW x 592mmH x 571mmD
Finish	Matte black Eclipse high visibility black glass
Total functions	10 plus defrost, proving, & sabbath mode
Display	COMPACTscreen
Capacity	79L
Cooking levels	5
Thermostat	50 - 280°C
Installation	Built-in
Programmability	Fully programmable
Cleaning	Pyrolytic Clean
Lighting	2 x 40W halogen
Supplied accessories	2 x Chrome shelves 1 x Chrome grill insert 1 x 20mm enamelled baking tray 1 x 40mm enamelled baking tray 1 x Total telescopic guides
Optional accessories	PRTX - Pizza Stone PPR2 - Gourmet Cooking Stone PALPZ - Single-handle pizza paddle 38508/510 - Baking Dish GT1P-2 - Partial telescopic guides GT1T-2 - Total telescopic guides
Safety	Cool Door technology, thermal protection system
Power	220-240V, 50/60Hz 3000W 13A Connection
Warranty	Two years parts and labour

### COOL DOOR TECHNOLOGY

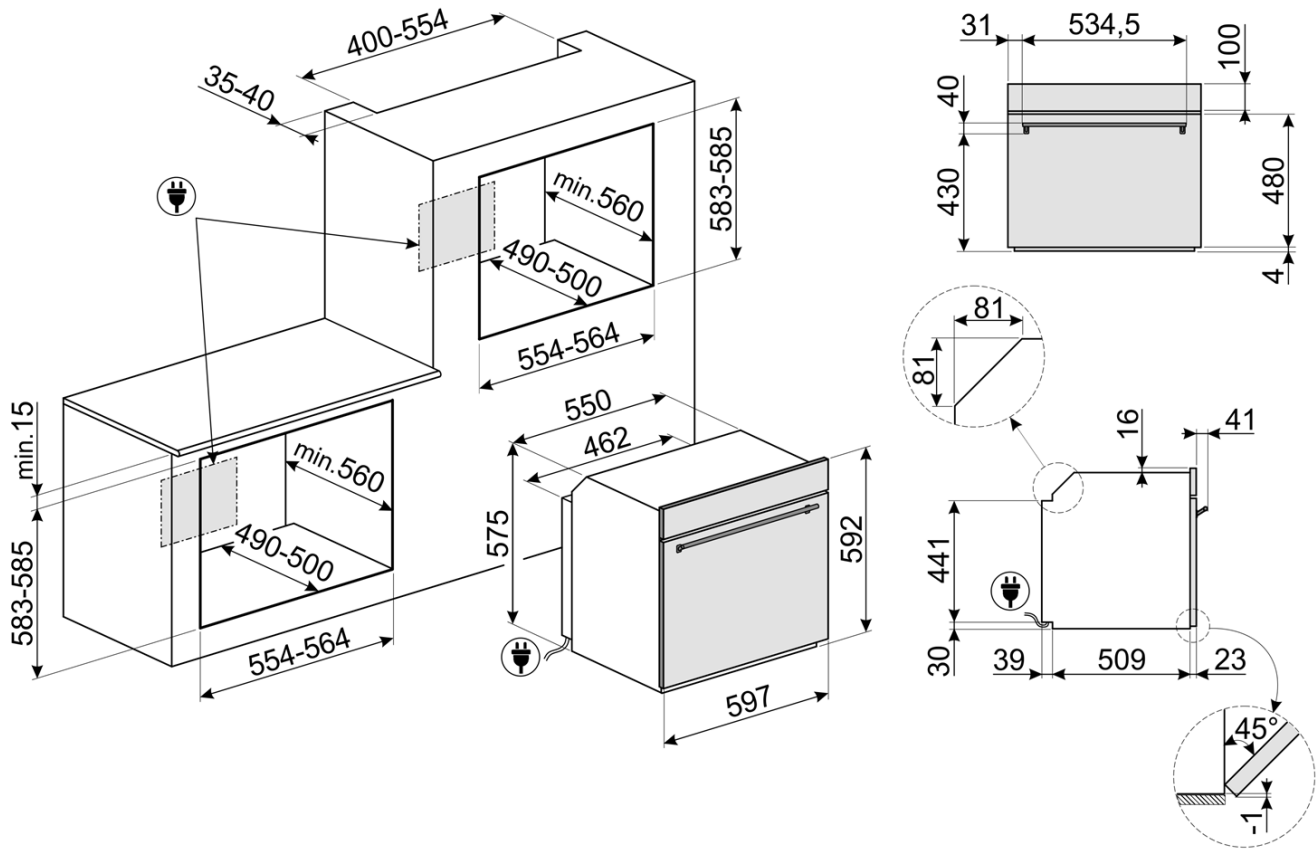
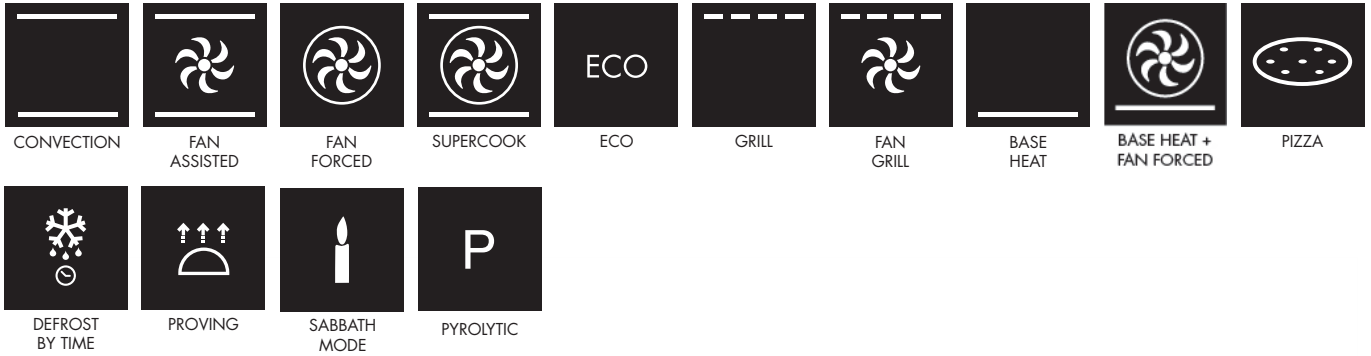
Smeg's Cool Door system is a combination of technologies which is driven by a 22 blade tangential fan and includes a heat exchange baffle system. It draws cool air up through the panes of heat-reflective glass in the door, making it safe to the touch even when the oven is at pyrolytic temperatures of around 500°C.



# SFPA6301TVN

## 60CM CLASSIC THERMOSEAL PYROLYTIC OVEN

### FUNCTIONS



PLEASE NOTE: drawings are not to scale. They are to assist only.  
 WARNING: technical specifications and product sizes can be varied by the manufacturer without notice.  
 Cutouts for appliances should only be by physical product measurements. The above information is indicative only.