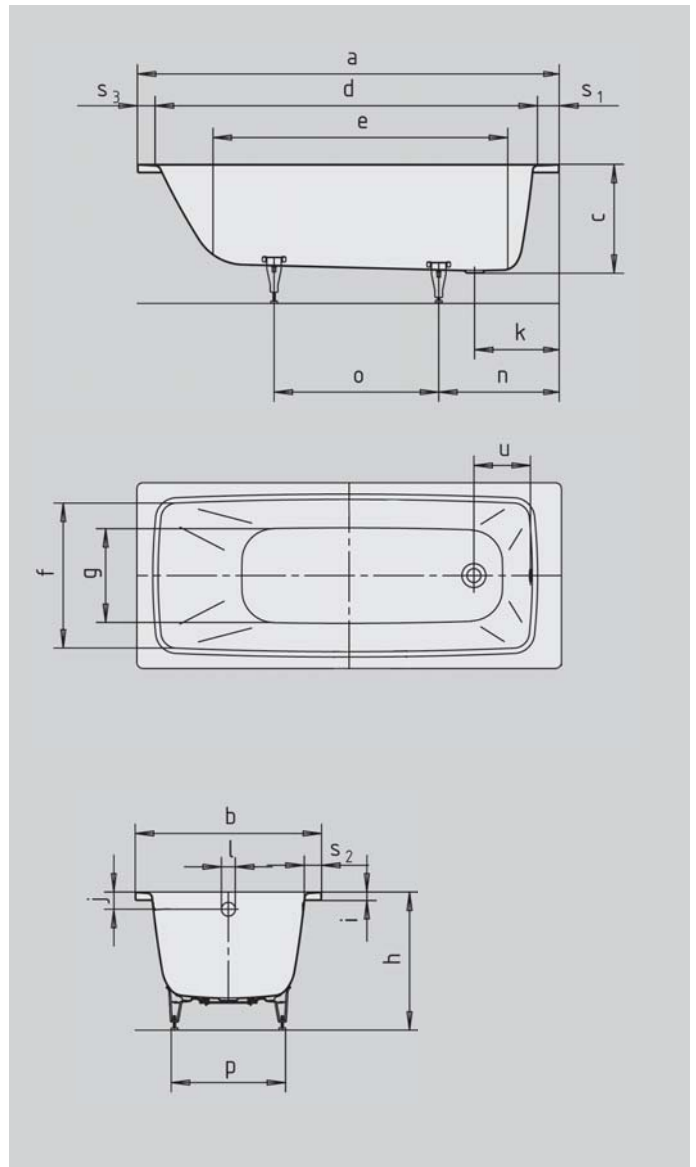


CAYONO

- one-seater bath with waste at foot end
- modern rectangular bathtub with spacious interior of the tub
- made of Kaldewei steel enamel 3,5 mm
- also available with grips/handles
- independent Anti-slip design
- **30 YEAR GUARANTEE**



| Model No. | | 747 | 748 | 750 | 751 |
|--|--|-------------|-------------|-------------|----------------|
| External length | a | 1500 | 1600 | 1700 | 1800 mm |
| External width | b | 700 | 700 | 750 | 800 mm |
| Depth | c | 410 | 410 | 410 | 410 mm |
| Internal length (top) | d | 1310 | 1410 | 1510 | 1610 mm |
| Internal length (bottom) | e | 1010 | 1110 | 1210 | 1310 mm |
| Internal width (top) | f | 570 | 570 | 610 | 660 mm |
| Internal width (bottom) | g | 400 | 400 | 450 | 510 mm |
| Height with feet | h | 535-555 | 543-563 | 538-553 | 528-543 mm |
| Height of rim | i | 32 | 32 | 32 | 32 mm |
| Distance top edge to centre of overflow hole | j | 65 | 65 | 65 | 65 mm |
| Distance bath edge to centre of drain hole | k | 330 | 330 | 330 | 330 mm |
| Diameter of overflow hole | l | 52 | 52 | 52 | 52 mm |
| Diameter of drain hole | m | 52 | 52 | 52 | 52 mm |
| Distance foot end of bath edge to centre of foot | n | 450 | 450 | 450 | 450 mm |
| Distance between the feet | o | 560 | 655 | 745 | 820 mm |
| Max. width of feet | p | 435 | 430 | 475 | 560 mm |
| Distance bath edge (foot end) to where handle starts | q | 534,5 | 584,5 | 634,5 | 684,5 mm |
| Distance bath edge (foot end) to where handle ends | r | 808,5 | 858,5 | 908,5 | 958,5 mm |
| Width of rim (foot end; lengthwise) | s ₁ ; s ₂ ; s ₃ | 110; 63; 80 | 110; 63; 80 | 110; 63; 80 | 110; 63; 80 mm |
| Distance between centre holes | u | 213 | 213 | 213 | 213 mm |
| Water volume** in litres | | 89 | 107 | 136 | 171 |
| Weight of the enamelled bath in kg | | 42 | 45 | 50 | 56 |
| Anti-slip | | 455x315 | 455x315 | 575x375 | 575x375 |
| Full anti-slip | | 655x315 | 735x315 | 855x375 | 935x375 |

Subject to technical alterations, tolerances and errors. Similar illustration.
 ** 70 litres displacement on average.

KALDEWEI