

N 90, Built-in oven with steam function, Stainless steel  
B47FS36NOB



COOKING PASSION SINCE 1877



Built-in oven with FullSteam and SLIDE&HIDE® - combining all heating types and steam cooking in a single oven with unrestricted access.

- ✓ Slide&Hide® - the door disappears underneath the oven for unrestricted access and the handle rotates for easy handling
- ✓ CircoTherm® - our smart hot-air solution for simultaneous baking and roasting on up to four levels
- ✓ ShiftControl - fast navigation through menus and simple operation with the TFT display.
- ✓ Multipoint Meatprobe - the thermometer helps the oven regulate the temperature and automatically adjust the cooking time

#### Features

##### Technical Data

Color / Material Front : Stainless steel  
Built-in / Free-standing : Built-in  
Door opening : Drop down  
Required niche size for installation (HxWxD) : 585-595 x 560-568 x 550  
Dimensions of the product (mm) : 595 x 596 x 548  
Dimensions of the packed product (HxWxD) (mm) : 675 x 660 x 690  
Control Panel Material : Stainless steel  
Door Material : Glass  
Net weight (kg) : 41.593  
Approval certificates : CE, VDE  
Length electrical supply cord (cm) : 120  
EAN code : 4242004181620  
Current (A) : 16  
Voltage (V) : 220-240  
Frequency (Hz) : 60; 50  
Plug type : no plug  
Approval certificates : CE, VDE  
Number of cavities (2010/30/EC) : 1  
Usable volume (of cavity) - NEW (2010/30/EC) : 71  
Energy efficiency class (2010/30/EC) : A+  
Energy consumption per cycle conventional (2010/30/EC) : 0.87  
Energy consumption per cycle forced air convection (2010/30/EC) : 0.69  
Energy efficiency index (2010/30/EC) : 81.2

#### Optional accessories

Z11SZ00X0	SeamlessCombination mounting kit
Z11SZ80X0	SeamlessCombination 60 + 29cm
Z11SZ90X0	SeamlessCombination 60 + 45cm
Z12CB10A0	Baking tray, anthracite enamelled
Z12CM10A0	Moussaka pan, anthracite enamelled
Z12CU10A0	Multipurpose pan, anthracite enamelled
Z13TC10X0	ComfortFlex Rail (1 level) f. steam
Z13TF36X0	3 level telescopic rails, full ext, steam
Z1913X0	Baking Stone



4 242004 181620

# N 90, Built-in oven with steam function, Stainless steel

## B47FS36NOB

### Features

#### Heating Functions

- Combi-steam oven with 12 heating methods: Hot Air Bread Baking Full surface grill CircoTherm® Eco Centre area grill Top/bottom heating Top/bottom heating Eco CircoTherm® Intensive Low temperature cooking Bottom heating Circo-roasting Keep warm
- Additional heating methods with steam: FullSteam, Reheating, Dough Proving, Defrost setting
- Temperature range 40 °C - 250 °C
- Cavity volume: 71 net usable litres

#### Design

- Illuminated ShiftControl
- Anthracite enamel cavity with 4 shelf positions

#### Cleaning

- EcoClean Direct : ceiling, back panel, side liners
- EcoClean program, EasyClean program
- Full glass inner door - safer touch door

#### Convenience

- 4.1" TFT colour and graphics display with ShiftControl
- Automatic temperature proposal Optical temperature control Actual temperature display Sabbath setting
- Additional functions: Descaling program drying function
- Slide&Hide® door, SoftOpen
- Bake and Roast assist, Automatic programs
- Number of automatic programmes: 30 PC
- MultiPoint MeatProbe
- Electronic clock with start / stop function
- Rapid heating-up: automatic
- LED lighting
- Large 1 litre water tank
- Water tank empty indicator
- Location of the steam generator is outside of the cavity
- Cooling fan
- Stainless-steel fan
- Info button
- Revolution handle

#### Hook-in racks / rails

- Cavity with shelf support rails, Telescopic slide-out available as optional accessory

#### Accessories

- 1 x universal pan, 2 x grid, 1 x steam container, punched, size XL, 1 x steam container, punched, size S, 1 x steam container, unpunched, size S

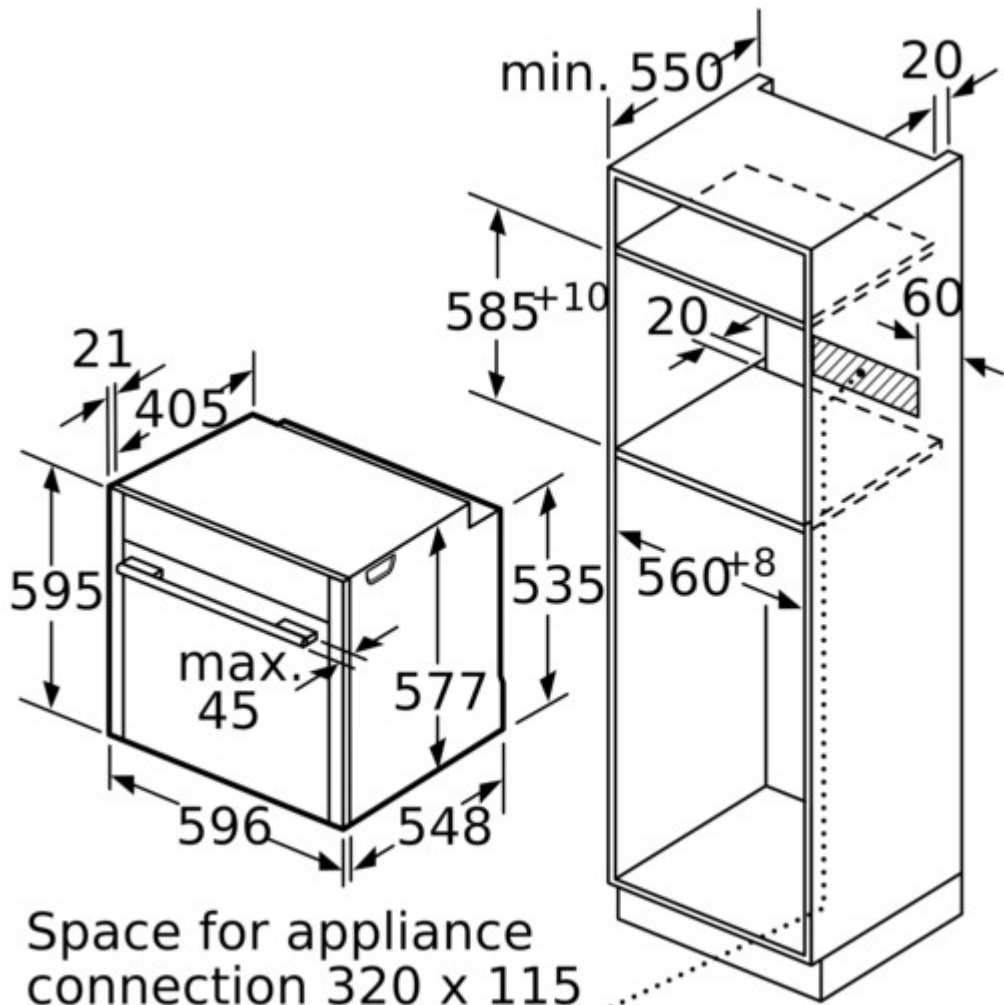
#### Safety and Environment

- Individual adjustable child lock Safety switch off Residual heat indicator Start button Door contact switch

- Triple glazed door

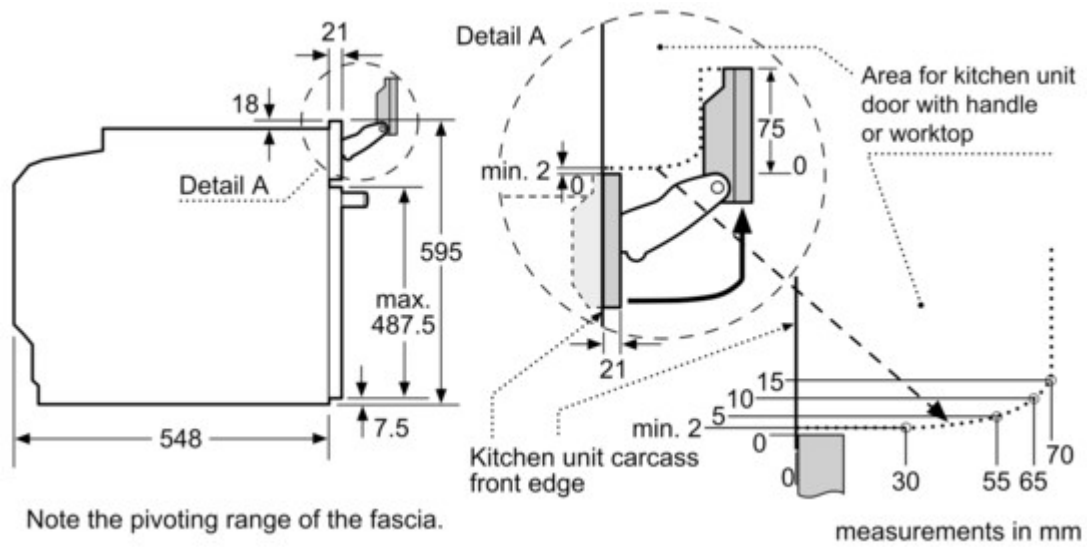
#### Technical Info

- Length of mains cable: 120 cm
- Total connected load electric: 3.45 KW
- Appliance dimensions (HxWxD): 595 mm x 596 mm x 548 mm
- Installation dimensions (HxWxD): 585 mm - 595 mm x 560 mm - 568 mm x 550 mm
- Please reference the built-in dimensions provided in the installation drawing



Space for appliance connection 320 x 115

measurements in m



Note the pivoting range of the fascia.

If the appliance will be installed underneath a hob, the following worktop thicknesses (including substructure if necessary) must be taken into account.

<b>Hob type</b>	<b>min. worktop thickness</b>	
	fitted	flush
Induction hob	37 mm	38 mm
Full surface Induction hob	47 mm	48 mm
Gas hob	30 mm	38 mm
Electric hob	27 mm	30 mm

