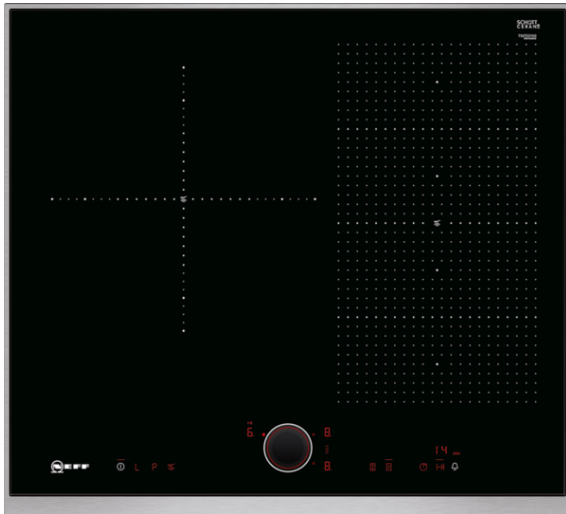


N 90, Induction hob, 60 cm,  
T56TS31N0



COOKING PASSION SINCE 1877



#### Standalone FlexInduction cooktop with TwistPad® Fire control.

- ✓ TwistPadFire® – our removable, magnetic, illuminated control dial that gives you precise control over all cooking zones.
- ✓ The FlexInduction zone automatically detects the number, size and shape of the pots and pans used and heats up precisely where it's needed.
- ✓ Power Move – the flex zone offers three heating zones: boiling in front, simmering in the middle and warming in the rear.
- ✓ Induction – the heat is generated directly in the cookware for precise cooking that stops when power is off.
- ✓ Induction – the heat is generated directly in the cookware for precise cooking that stops when power is off.
- ✓ The FlexInduction zone automatically detects the number, size and shape of the pots and pans used and heats up precisely where it's needed.

#### Features

##### Technical Data

Product name/family : Cooking zone ceramic  
 Construction type : Built-in  
 Energy input : Electric  
 Total number of positions that can be used at the same time : 3  
 Required niche size for installation (HxWxD) : 51 x 560-560 x 490-500  
 Width of the product (mm) : 606  
 Dimensions of the product (mm) : 51 x 606 x 546  
 Dimensions of the packed product (HxWxD) (mm) : 126 x 753 x 603  
 Net weight (kg) : 13.771  
 Gross weight (kg) : 15.0  
 Residual heat indicator : Separate  
 Location of control panel : Hob front  
 Basic surface material : Ceramic  
 Color of surface : Black, Stainless steel  
 Color of frame : Stainless steel  
 Approval certificates : AENOR, CE  
 Length electrical supply cord (cm) : 110  
 EAN code : 4242004191797  
 Electrical connection rating (W) : 7400  
 Voltage (V) : 220-240  
 Frequency (Hz) : 60; 50

#### Optional accessories

Z9410X1	Stainless Steel roaster with glas lid
Z9415X1	Steaming Rack for Stainless Steel roaste
Z9416X2	Griddle Plate
Z9417X2	Teppan Yaki (large)
Z943SE0	Set of 2 pots and 1 pan
Z9453X0	System pan diameter 21cm



# N 90, Induction hob, 60 cm, T56TS31N0

## Features

### Handling

- TwistPad® Fire

### Flexibility

- 3 induction zones
- Cooking zones: 1 x Ø 280 mm, 2.6 KW (max. Power level 3.7 KW) Induction; 1 x Ø 380 mmx210 mm, 3.3 KW (max. Power level 3.7 KW) Induction or 2 x Ø 190 mm, 2.2 KW (max. Power level 3.7 KW) Induction

### Comfort & Convenience

- PotBoost function for all cooking zones
- PanBoost
- PowerMove
- FryingSensor with 5 temperature settings
- 17 power levels for each cooking zone
- Residual heat indicator: Digital 2-step
- LED display and timer with auto switch off for all cooking zones, Count-up timer, Alarm clock
- Automatic pan recognition sensor powerManagement Function Automatic safety switch-off Child safety lock Wipe protection function
- ReStart function
- QuickStart - Quick and automatic first pot detection
- Keep warm function for all cooking zones

### Design

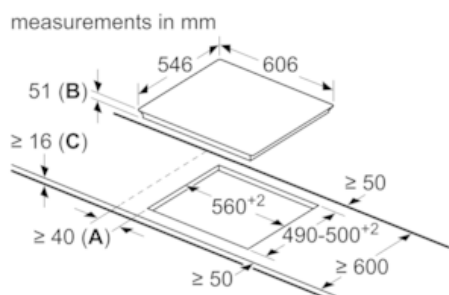
- Frameless with front faceted glass

### Technical Information

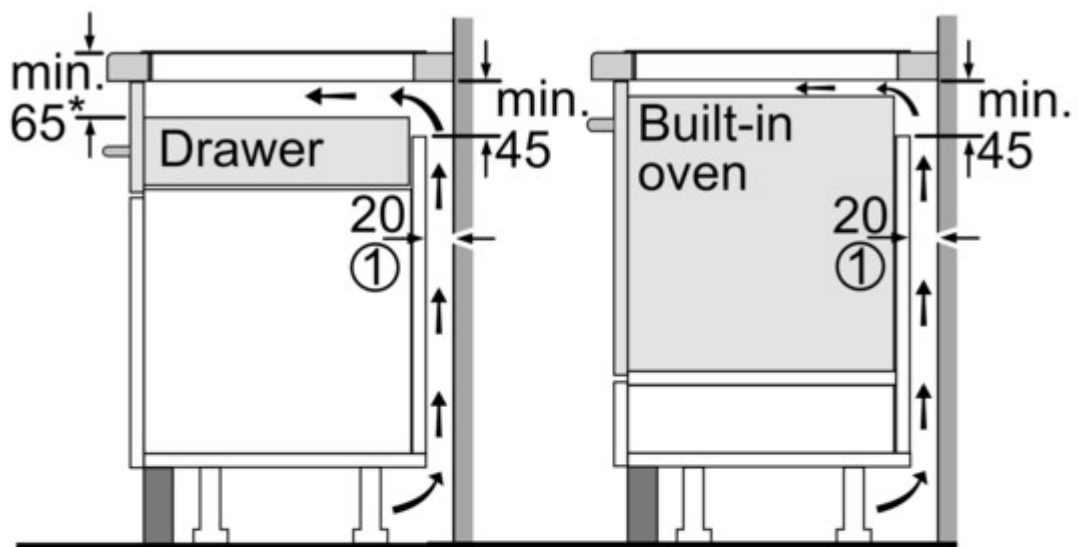
- 60 cm width
- Installation measurements: 560 mm x 490 mm
- Length wire connection: 110 cm
- Min. worktop thickness: 30 mm
- 7.4 KW total connected load
- Voltage: 220 - 240 V
- Cable included

N 90, Induction hob, 60 cm,  
T56TS31N0

Dimensioned drawings



- A:** Minimum distance from the hob cut-out to the wall.
- B:** Recessed depth
- C:** With fitted oven underneath min. 30, possibly more; see space requirements for the oven.

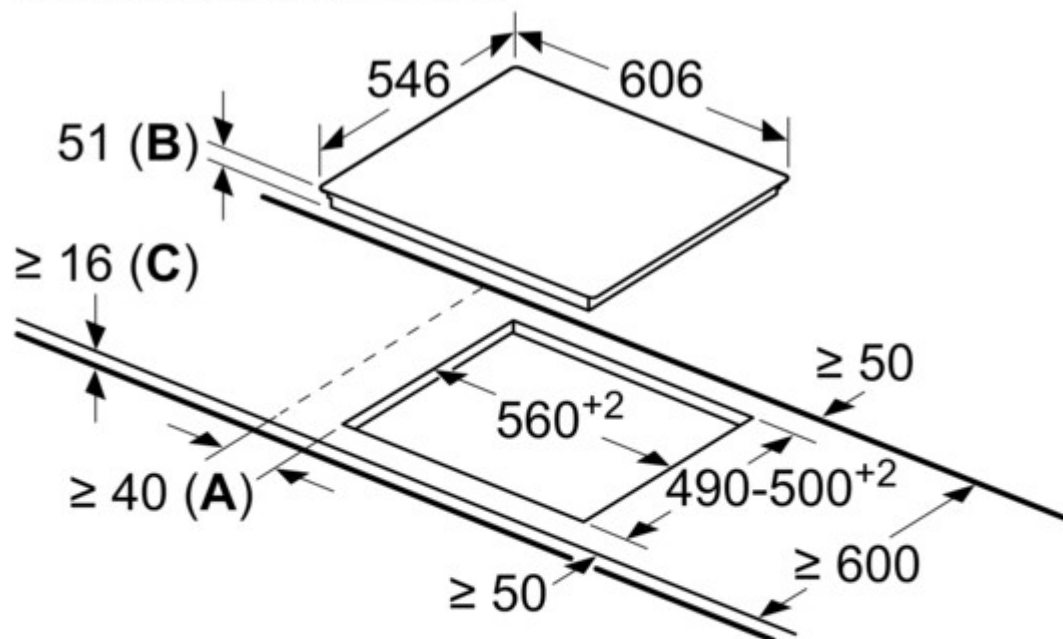


①  
Ventilation gap must  
be present

\* Min. 70 for all induction  
hobs integrated flush  
with surrounding surfaces

Measurements  
in mm

measurements in mm



**A:** Minimum distance from the hob cut-out to the wall.

**B:** Recessed depth

**C:** With fitted oven underneath min. 30, possibly more; see space requirements for the oven.