

# FISHER & PAYKEL

## SPECIFICATION GUIDE

## WALL RANGEHOOD, PYRAMID CHIMNEY



### OVERVIEW

Designed to complete the Classic kitchen, these wall chimney rangehoods are made with a high-quality finish. Available in three colours - red, black, white or a stainless steel finish - they are primed for pairing with the Fisher & Paykel Classic Freestanding range, or with any large cooktop. With quiet, effective extraction and three fan speeds, performance meets design with strikingly stylish results.

### MODELS

Wall Rangehood, 90cm, Pyramid Chimney  
Stainless Steel  
HC90PCX1

Wall Rangehood, 90cm, Pyramid Chimney  
Black  
HC90PCB1

Wall Rangehood, 90cm, Pyramid Chimney  
White  
HC90PCW1

Wall Rangehood, 90cm, Pyramid Chimney  
Red  
HC90PCR1

### FEATURES

- ① Styled to perfectly match our Classic kitchen appliances.
- ② Available in three durable powder-coated colours or premium-grade stainless steel with a high-quality finish.
- ④ Energy-efficient LED lighting illuminates the cooktop.
- ⑤ Powerful 780m<sup>3</sup>/hr maximum airflow with edge-to-edge extraction.
- ⑥ Classic-style, user-friendly chrome touch buttons.
- ⑦ Simple and intuitive user interface.
- ⑧ Easy-to-clean, dishwasher-safe filters.

### ACCESSORIES

- ① Recirculating Parts/Kit Diverter 792560 & Filter 792481
- ② Aluminium Filter 792564
- ③ Roof Ducting Kit PD-RHK150T
- ④ Eave Ducting Kit PD-RHK150E
- ⑤ Side Wall Ducting Kit PD-RHK150W

# FISHER & PAYKEL

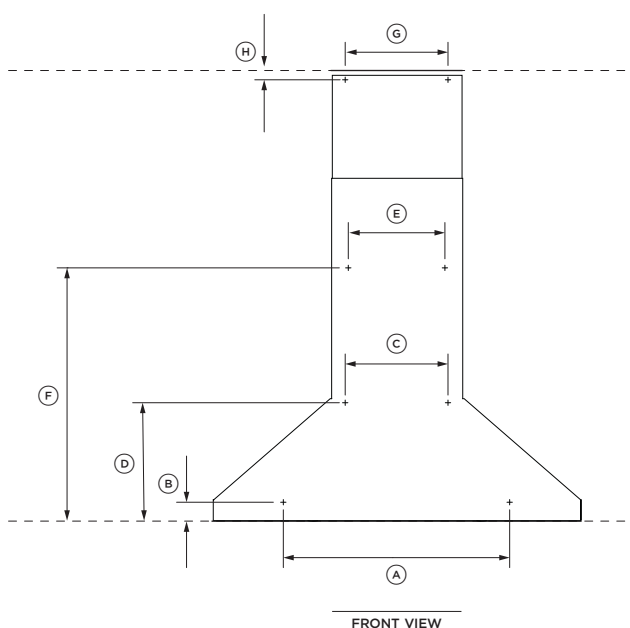
## SPECIFICATION GUIDE

## WALL RANGEHOOD, 90CM, PYRAMID CHIMNEY

### SPECIFICATIONS

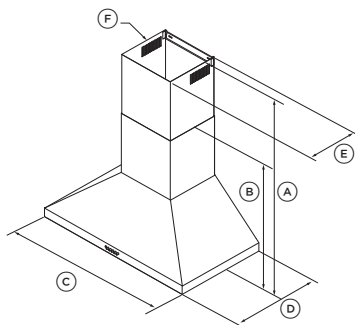
Model No.	HC90PCX1, HC90PCB1, HC90PCW1, HC90PCR1 (780m <sup>3</sup> /hour Airflow)
Dimensions	H 975mm x W 898mm x D 500mm
Diameter of vent connection	150mm
Weight	23kg
Install option	Externally duct exhaust air
Minimum distance above cooktops	Consult the cooktop installation guide for details of the required installation height of the rangehood
Electrical	
Supply	230V, 50Hz
outlet	3 pin plug
Light source	
Type	LED Bulbs
Temperature	3000K

### ATTACHMENT DIMENSIONS



FRONT VIEW

### PRODUCT DIMENSIONS



ISO VIEW

		mm
(A)	Width of lower rangehood attachment point	508
(B)	Height of lower rangehood attachment point	47
(C)	Width of upper rangehood attachment point	250
(D)	Height of upper rangehood attachment point	294
(E)	Width of chimney bracket attachment point	250
(F)	Height of chimney bracket attachment point	596
(G)	Width of upper chimney bracket attachment point	250
(H)	Height of upper chimney bracket attachment point	25

		mm
(A)	Maximum overall height of rangehood	975
(B)	Minimum overall height of rangehood	636
(C)	Overall width of rangehood	898
(D)	Overall depth of rangehood	500
(E)	Depth of rangehood chimney	290
(E)	Diameter of ducting outlet	150