

Freestanding Quad Door Refrigerator Freezer, 90.5cm, 605L

Series 7 | Contemporary

Black Stainless Steel | French hinge

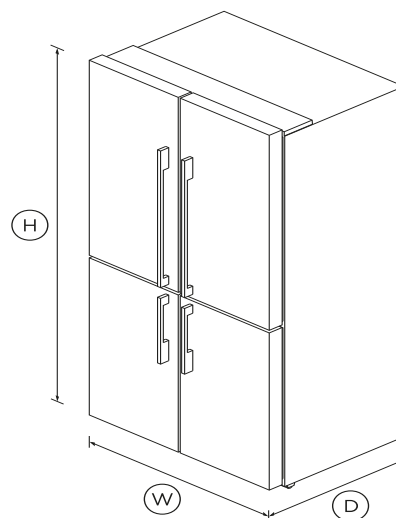


With brilliant LED lighting and three independent compartments including a Variable Temperature Zone, for truly flexible storage.

- ActiveSmart™ technology helps keep food fresher for longer by constantly maintaining the ideal temperature.
- Variable Temperature Zone lets you change a compartment to Fridge, Chill, Soft Freeze or Freezer for optimal storage

DIMENSIONS

Height	1790 mm
Width	905 mm
Depth	688 mm



FEATURES & BENEFITS

Flexible storage

Three large, independent compartments provide ample storage space. Easily adjustable cantilevered shelving in the fridge and full extension bins in the freezer provide maximum storage flexibility. A Variable Temperature Zone in the lower right compartment provides true freezer temperature of -18°C.

ActiveSmart™ Foodcare

ActiveSmart™ Foodcare learns how you live. It is technology which understands how you use your fridge and adjusts

temperature, airflow and humidity inside to help keep food fresher for longer.

Design quality

Our refrigerators are built using quality materials. We use real stainless steel, and solid glass for the interior shelving. Thoughtfully designed bins feature smooth, fully extendable telescopic runners for full access to storage space.

Brilliant interior lighting

Bright LEDs light up each ceiling, shelf, bin and tray in both refrigerator and freezer, making it easy to find your food and creating a welcoming glow in your kitchen.

Beauty of Choice

With the choice of stylish stainless steel or elegant black, you can choose the finish that complements your kitchen design best.

Easy one-touch control panel

Control panels for the refrigerator and freezer are conveniently located inside their respective compartments, allowing you to view and modify the features and options to suit any occasion. The Variable Temperature Zone control is on the top of the compartment door so you can easily select your desired food mode or adjust manually.

SPECIFICATIONS

Capacity

Freezer	115L
Refrigerator	375L
Total gross capacity	605L
Variable temperature	115

Consumption

Energy star rating	3.5
Energy usage	460kWh/year

Freezer features

Adjustable door shelves	6
Bottle chill	•
Door alarm	•
Fast freeze	•
Full extension clear bins	3
Ice bin and scoop	•
LED lighting	•

Performance

ActiveSmart™ Foodcare	•
Frost free freezer	•
Humidity control system	•
Inverter controlled compressor	•
R600a refrigerant	•
Sabbath mode	•
Variable temperature	•
Variable temperature zones	•

Power requirements

Amperage	1.8A
Supply voltage	220 - 240V

Product dimensions

Depth	688 mm
Depth (Excluding handles)	688 mm
Height	1790 mm
Height to top of cabinet	1775 mm
Height to top of door	1790 mm

Minimum air clearance - at rear	30 mm
Minimum air clearance - each	20 mm
Minimum air clearance - on top	20 mm
Width	905 mm

Refrigerator features

Adjustable door shelves	6
Cantilevered glass shelves	4
Covered door shelves	2
Door alarm	•
Front levelling feet	•
Fruit and vegetable bins	2
Full extension runners	•
LED lighting	•
Rear rollers	•
SmartTouch control panel	•
Split level cantilevered shelves	2
Stackable bottle holders	4

Warranty

Parts and labour	2 years
Sealed system parts only	5 years

SKU	25736
-----	-------

The product dimensions and specifications in this page apply to the specific product and model. Under our policy of continuous improvement, these dimensions and specifications may change at any time. You should therefore check with Fisher & Paykel's Customer Care Centre to ensure this page correctly describes the model currently available. © Fisher & Paykel Appliances Ltd 2019.

Other product downloads available at fisherpaykel.com



User Guide



Service & Warranty Booklet



A PEACE OF MIND SALE

24 Hours 7 Days a Week Customer Support

T 1300 650 590 W www.fisherpaykel.com