

H 2267-1 BP Active

Ovens

with a timer, pyrolytic cleaning and FlexiClip telescopic runners.



- 7-segment display with retractable knobs – EasyControl
- Minimal cleaning effort – Pyrolytic cleaning
- Lots of room and flexibility – 76 l oven capacity on 5 levels
- Easy handling – FlexiClip telescopic runners
- Protects against burns – touch-cool fronts

Price \$ 2,799.00**

** GST inclusive

Construction type and design	
Built-in oven	•
Appliance colour	Stainless steel/Clean Steel
Retractable rotary controls	•
Convenience features	
Rapid Heat-up	•
Operating modes	
Eco hot air	•
Grill operating modes	•
Grill	•
Fan Plus	•
Intensive Bake	•
Conventional Heat	•
Bottom Heat	•
Fan Grill	•
User convenience	
Display	EasyControl
Timer functions	•
Time of day display	•
Minute minder	•
Programmable end of cooking duration	•
Programmable cooking duration	•
Actual temperature display	•
Target temperature display	•
Buzzer when desired temperature is reached	•
Recommended temperature	•
Individual settings	•
Cleaning convenience	
Stainless steel/CleanSteel finish	•
Pyrolytic self-cleaning	•
Hinged grill element	•
CleanGlass door	•
Safety	
Appliance cooling system and touch-cool front	•
Safety switch-off	•
System lock	•
Door lock during pyrolytic cleaning	•

H 2267-1 BP Active

Ovens

with a timer, pyrolytic cleaning and FlexiClip telescopic runners.

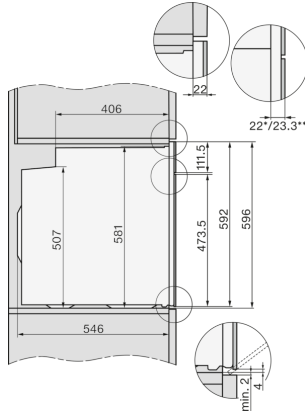


Technical data	
Oven interior volume in l	76
No. of shelf levels	5
Number of shelf levels oven compartment 1	5
Number of shelf levels oven compartment 2	5
Numbered shelf levels	•
Oven light	1 halogen spot
Temperatures min. in °C	30
Temperatures max. in °C	280
Niche width min. in mm	560
Niche width max. in mm	568
Niche height min. in mm	590
Niche height max. in mm	595
Niche depth in mm	550
Appliance width in mm	595
Appliance height in mm	596
Appliance depth in mm	569
Weight in kg	47
Total rated load in kW	3.6
Voltage in V	220-240
Frequency in Hz	50
Number of phases	1
Fuse rating in A	16
Length of supply lead in m	1.5
Replacing lamps	Customer
Standard accessories	
Baking tray with PerfectClean	2
Universal tray with PerfectClean	1
Baking and roasting rack without PerfectClean	1
FlexiClip telescopic runners with PerfectClean	1
Removable shelf runners (pair)	1

H 2267-1 BP Active

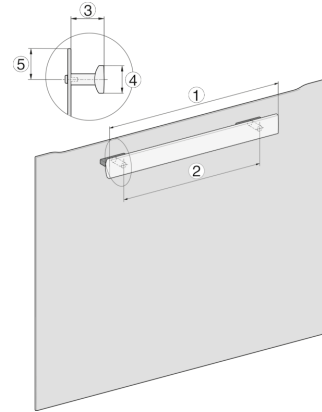
Ovens

with a timer, pyrolytic cleaning and FlexiClip telescopic runners.



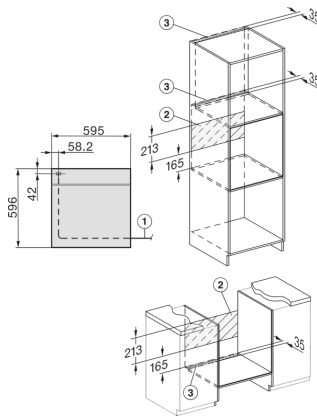
H2760B/BP, H28x0B/BP, H7x6xB/BP/BPX, installation drawings

22 mm - glass, 23.3 mm - metal



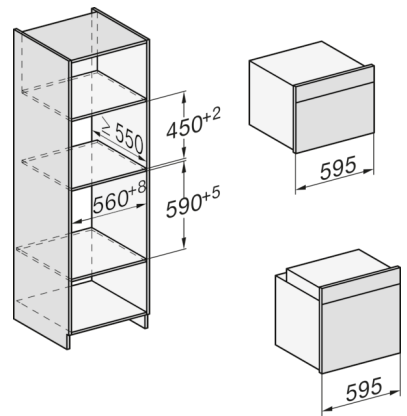
H226x-1B/BP/E/EP/I/IP, installation drawings

1) 400 mm, 2) 360 mm, 3) 42 mm, 4) 27 mm, 5) 32.5 mm



H226x-1B/BP/E/EP/I/IP, H2760B/BP, H28x0B/BP, H7x6xB/BP/BPX, installation drawings, GB, AUS

1) Netzanschlussleitung, L=1500 mm, 2) In diesem Bereich kein Anschluss, 3) Lüftungsausschnitt min. 150 cm²

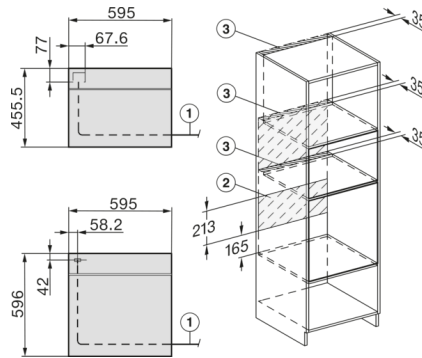


H226x-1B/BP/E/EP/I/IP, H2760B/BP, H28x0B/BP, H7x40BM/BMX, H7x6xB/BP/BPX, installation drawings

H 2267-1 BP Active

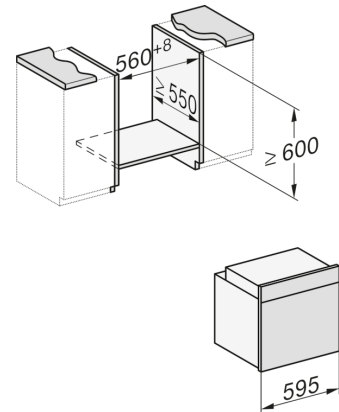
Ovens

with a timer, pyrolytic cleaning and FlexiClip telescopic runners.



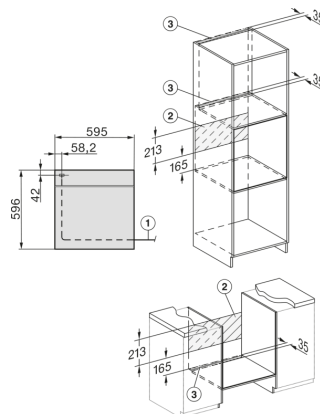
H2xxx-1 B/BP/E/I/IP, H7xxx B/BP/BM/BMX, installation drawings

22 mm - glass, 23,3 mm - metal



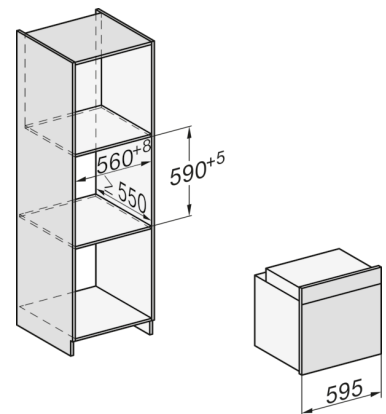
H226x-1B/BP/E/EP/I/IP, H2x6xB/BP, H7x6xB/BP/BPX, installation drawings

If the oven is to be installed under a hob, follow the instructions for installing the hob and the height of the hob.



H226x-1B/BP/E/EP/I/IP, H2760B/BP, H28x0B/BP, H7x6xB/BP/BPX installation drawings

1) Netzanschlussleitung, L=1500 mm, 2) In diesem Bereich kein Anschluss, 3) Lüftungsausschnitt min. 150 cm²

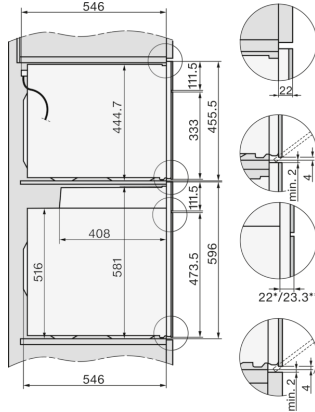


H226x-1B/BP/E/EP/I/IP, H2760B/BP, H28x0B/BP, H7x6xB/BP/BPX, installation drawings

H 2267-1 BP Active

Ovens

with a timer, pyrolytic cleaning and FlexiClip telescopic runners.



H2xxx-1 B/BP/E/I/IP, H7xxx B/BP/BM/BMX, installation drawings

22 mm - glass, 23,3 mm - metal