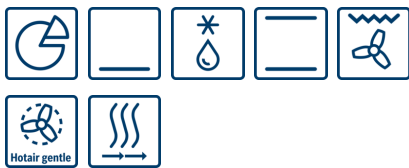


## Serie | 8, Oven, Black HBG633BB1B



### Included accessories

1 x grill tray  
suit. pyrol. clean.  
2 x combination grid  
1 x universal pan

### Optional accessories

HEZ327000 : Pizza stone  
HEZ530000 : Half tray  
HEZ531010 : Baking tray, non-stick ceramic coated  
HEZ532010 : Universal pan, non-stick ceramic coated  
HEZ617000 : Pizza pan, anthracite enamelled  
HEZ625071 : Grill tray, anthracite enamelled  
HEZ631070 : Baking tray, anthracite enamelled  
HEZ632070 : Multipurpose pan, anthracite enamelled  
HEZ633001 : Lid for professional pan, enamelled anth  
HEZ634000 : Baking and roasting grid (standard)  
HEZ636000 : Glass pan

## The Series 8 built-in oven: impressive design and results for any kitchen.

- **4D HotAir:** even heat distribution for perfect results – on any level.
- **TFT display control:** easy-to-use thanks to the control ring with clear text and touch symbols.
- **SoftMove door with SoftOpen and SoftClose:** the oven door opens and closes especially gently and quietly.
- **EcoClean Direct:** almost no cleaning is necessary thanks to a special coating of the rear wall that automatically absorbs grime.
- **ColorGlass:** black glass front as a brilliant alternative to stainless steel.

### Technical Data

Color / Material Front :	Black
Built-in / Free-standing :	Built-in
Integrated Cleaning system :	No
Required niche size for installation (HxWxD) :	585-595 x 560-568 x 550
Dimensions of the product (mm) :	595 x 594 x 548
Dimensions of the packed product (HxWxD) (mm) :	670 x 680 x 670
Control Panel Material :	Glass
Door Material :	Glass
Net weight (kg) :	35.134
Usable volume of cavity (l) :	71
Cooking method :	, 4D hot air, Bottom heat, Conventional heat, Defrost, Full width grill, Half width grill, Hot Air-Eco, Hot air grilling, Pizza setting
First cavity material :	Enamelled
Temperature control :	electronic
Number of interior lights :	1
Approval certificates :	CE, VDE
Length electrical supply cord (cm) :	120
EAN code :	4242002880907
Number of cavities (2010/30/EC) :	1
Energy efficiency class (2010/30/EC) :	A+
Energy consumption per cycle conventional (2010/30/EC) :	0.87
Energy consumption per cycle forced air convection (2010/30/EC) :	0.69
Energy efficiency index (2010/30/EC) :	81.2
Connection Rating (W) :	3600
Current (A) :	16
Voltage (V) :	220-240
Frequency (Hz) :	50; 60
Plug type :	no plug



## Serie | 8, Oven, Black HBG633BB1B

### The Series 8 built-in oven: impressive design and results for any kitchen.

#### Heating Functions

- Oven with 10 heating methods:
  - 4D HotAir
  - 4D HotAir Eco
  - Top/bottom heating
  - Top/bottom heating Eco
  - Hot air grilling
  - Full width grill
  - Half width grill
  - Pizza setting
  - Bottom heating
  - Defrost
- Rapid heating-up
- Temperature range 30 °C - 300 °C

#### Design

- TFT Touch Symbol Display
- Bosch Control Ring
- Drop down door, Oven door with SoftClose , SoftOpen
- Cavity volume: 71 net usable litres
- Anthracite enamel cavity with 5 shelf positions

#### Cleaning

- EcoClean Direct : back panel
- Full glass inner door

#### Convenience

- Automatic temperature proposal
  - Actual temperature display
  - Residual heat indicator
  - Sabbath mode
- Electronic clock/timer with end time programming
- Halogen lighting
- Info button
- Bar handle

#### Safety and Environment

- Triple glazed door
- Maximum door temperature 40° C
- Child lock function
  - Automatic safety switch off function
  - Residual heat indicator
  - start button
  - door contact switch
- Cooling fan

#### 2 year warranty

- Cavity with shelf support rails, Telescopic slide-out Accessory

#### Accessories

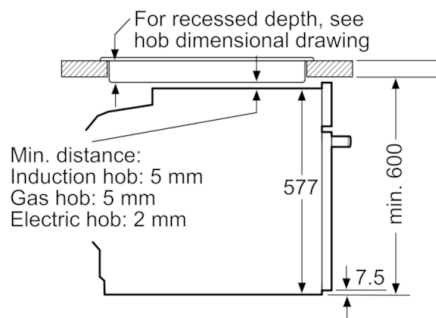
- 1 x grill tray, suit. pyrol. clean., 2 x combination grid, 1 x universal pan

#### Technical Info

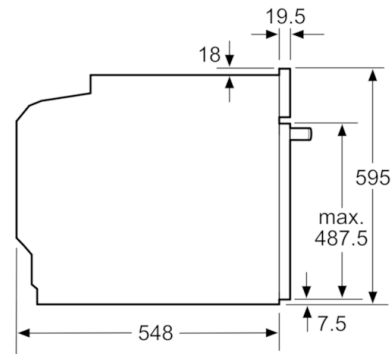
- Appliance dimensions (HxWxD): 595 mm x 594 mm x 548 mm
- Installation dimensions (HxWxD): 585 mm - 595 mm x 560 mm - 568 mm x 550 mm
- Length of mains cable: 120 cm
- Total connected load electric: 3.6 KW
- Please reference the built-in dimensions provided in the installation drawing

## Serie | 8, Oven, Black HBG633BB1B

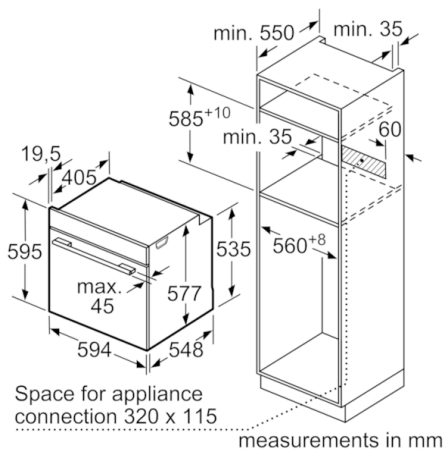
Installation with a hob.



measurements in mm



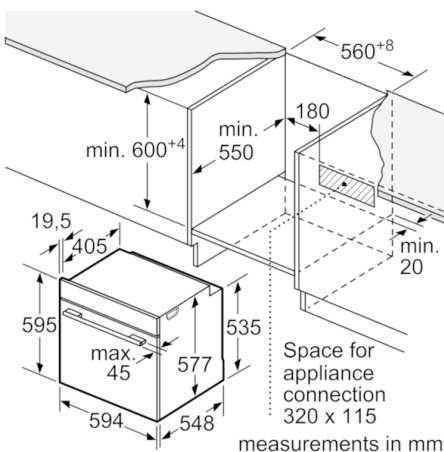
measurements in mm



measurements in mm

If the appliance will be installed underneath a hob, the following worktop thicknesses (including substructure if necessary) must be taken into account.

Hob type	min. worktop thickness	
	fitted	flush
Induction hob	37 mm	38 mm
Full surface Induction hob	47 mm	48 mm
Gas hob	30 mm	38 mm
Electric hob	27 mm	30 mm



measurements in mm