

## Serie | 8, Compact combination steam oven, Black CSG656RB1A



### Included accessories

1 x steam container, punched, size S, 1 x steam container, punched, size XL, 1 x steam container, unpunched, size S, 2 x grid, 1 x universal pan

### Optional accessories

HEZ327000 : Pizza stone  
HEZ36D353P : porcelain tray-GN2/3- unpunched  
HEZ530000 : Half tray  
HEZ531010 : Baking tray, non-stick ceramic coated  
HEZ532010 : Universal pan, non-stick ceramic coated  
HEZ617000 : Pizza pan, anthracite enamelled  
HEZ625071 : Grill tray, anthracite enamelled  
HEZ631070 : Baking tray, anthracite enamelled  
HEZ632070 : Multipurpose pan, anthracite enamelled  
HEZ636000 : Glass pan  
HEZ660060 : Strip

## The compact steam oven with PerfectBake and PerfectRoast: you get perfect results, automatically and gently.

- **TFT touchscreen control:** easy-to-use thanks to the control ring with full text and colour images.
- **Bosch Assist:** automatic setting of the optimal type of heat, temperature and time for countless dishes.
- **PerfectBake Sensor and PerfectRoast meat probe:** the easy way to perfect baking and roasting results.
- **Steam baking:** by adding steam, foods turn out crispy on the outside and juicy on the inside.
- **EcoClean Direct:** almost no cleaning is necessary thanks to a special coating of the rear- and side wall and the ceiling that automatically absorbs grime and has a regeneration programme.

### Technical Data

Color / Material Front :	Black
Built-in / Free-standing :	Built-in
Door opening :	Drop down
Required niche size for installation (HxWxD) :	450-455 x 560-568 x 550
Dimensions of the product (mm) :	455 x 594 x 548
Dimensions of the packed product (HxWxD) (mm) :	530 x 650 x 710
Control Panel Material :	Glass
Door Material :	Glass
Net weight (kg) :	36.633
Approval certificates :	CE, VDE
Length electrical supply cord (cm) :	150
EAN code :	4242005090259
Current (A) :	16
Voltage (V) :	220-240
Frequency (Hz) :	50; 60
Plug type :	no plug
Approval certificates :	CE, VDE
Number of cavities (2010/30/EC) :	1
Usable volume (of cavity) - NEW (2010/30/EC) :	47
Energy efficiency class (2010/30/EC) :	A+
Energy consumption per cycle conventional (2010/30/EC) :	0.73
Energy consumption per cycle forced air convection (2010/30/EC) :	0.61
Energy efficiency index (2010/30/EC) :	81.3



4 242005 090259

## **Serie | 8, Compact combination steam oven, Black CSG656RB1A**

**The compact steam oven with PerfectBake  
and PerfectRoast: you get perfect results,  
automatically and gently.**

### **Heating Functions**

- Compact steam oven with 14 heating methods:
  - 4D HotAir
  - 4D HotAir Eco
  - Top/bottom heating
  - Top/bottom heating Eco
  - Hot air grilling
  - Full width grill
  - Half width grill
  - Pizza setting
  - Bottom heating
  - Intensive heat
  - Slow cooking
  - Preheat ovenware
  - Drying
  - Keep warm
- Additional heating methods with steam: Pure steaming, Reheating, Dough Proving, Defrost
- Rapid heating-up
- Temperature range 30 °C - 250 °C

### **Sensor Technology & Automatic Programs**

- Bosch Assist - a menu of dishes for automatic cooking
- PerfectBake baking sensor
- PerfectRoast multipoint meat probe

### **Hook-in racks / rails**

- Cavity with shelf support rails, 1 level telescopic rail, fully extendable, safety stop function

### **Design**

- Bosch Control Ring
- TFT Touch Graphic Display
- Anthracite enamel cavity with 3 shelf positions
- Cavity volume: 47 net usable litres

### **Cleaning**

- EcoClean Direct automatic prompt for cleaning function
- EcoClean Direct : back panel, ceiling, side liners
- Additional functions:
  - Descaling programme
  - Drying function
- Full glass inner door

### **Convenience**

- Drop down door, Oven door with SoftClose , SoftOpen
- LED lighting
- Large 1 litre water tank
- Water tank empty indicator
- Location of the steam generator is outside of the cavity
- Bar handle
- Cooling fan

### **Safety and Environment**

- Triple glazed door
- Child lock function
- Automatic safety switch off function
- Residual heat indicator
- start button
- Door contact switch

### **2 year warranty**

### **Accessories**

- 1 x steam container, punched, size S, 1 x steam container, punched, size XL, 1 x steam container, unpunched, size S, 2 x grid, 1 x universal pan

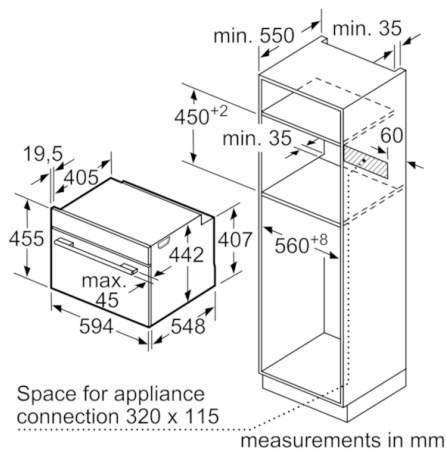
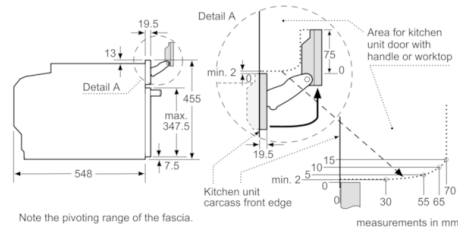
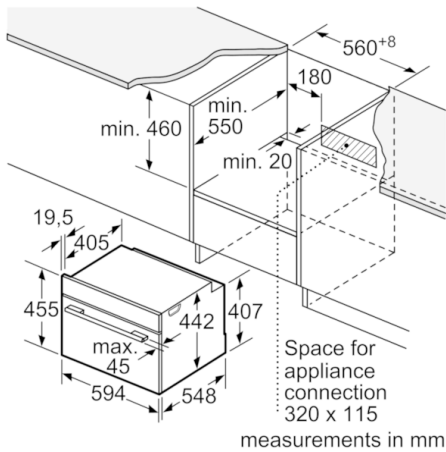
### **Technical Info**

- Length of mains cable: 150 cm
- Nominal voltage: 220 - 240 V
- Total connected load electric: 3.3 KW

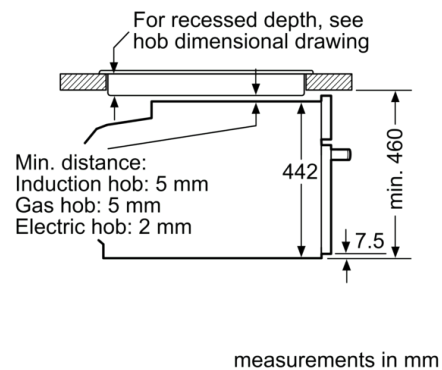
### **Dimensions**

- Appliance dimensions (HxWxD): 455 mm x 594 mm x 548 mm
- Installation dimensions (HxWxD): 450 mm - 455 mm x 560 mm - 568 mm x 550 mm
- Please reference the built-in dimensions provided in the installation drawing

**Serie | 8, Compact combination steam oven,  
Black  
CSG656RB1A**



**Installation with a hob.**



If the compact appliance will be installed underneath a hob, the following worktop thicknesses (including substructure if necessary) must be taken into account.

Hob type	min. worktop thickness	
	fitted	flush
Induction hob	42 mm	43 mm
Full surface Induction hob	52 mm	53 mm
Gas hob	32 mm	43 mm
Electric hob	32 mm	35 mm