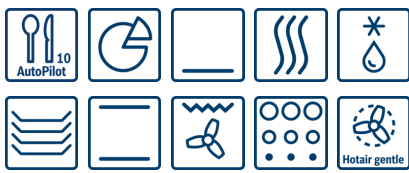


Serie | 8
**HBG6753B1A
Built-in Oven**

Included accessories

1 x grill tray
suit. pyrol. clean.
2 x combination grid
1 x universal pan

Optional accessories

HEZ327000 : Pizza stone
HEZ617000 : Pizza pan, anthracite enamelled
HEZ625071 : Grill tray, anthracite enamelled
HEZ631070 : Baking tray, anthracite enamelled
HEZ632070 : Multipurpose pan, anthracite enamelled
HEZ633001 : Lid for professional pan, enamelled anth
HEZ634000 : Baking and roasting grid (standard)
HEZ636000 : Glass pan
HEZ638370 : 3 level telescopic rails, full ext,pyro

The Series 8 built-in oven: impressive design and results for any kitchen.

- **4D HotAir:** even heat distribution for perfect results – on any level.
- **AutoPilot 10:** every dish is a perfect success thanks to the 10 pre-set automatic programs.
- **TFT display control:** easy-to-use thanks to the control ring with clear text and touch symbols.
- **Pyrolytic self-cleaning:** no cleaning effort thanks to 3 stage self-cleaning. Including enamel trays and shelf racking.
- **Top-/Bottom heat:** perfect results on one level thanks to optimal distribution of heat.

Technical Data

Color / Material Front :	Black
Built-in / Free-standing :	Built-in
Integrated Cleaning system :	Pyrolytic
Required niche size for installation (HxWxD) :	585-595 x 560-568 x 550
Dimensions of the product (mm) :	595 x 594 x 548
Dimensions of the packed product (HxWxD) (mm) :	670 x 680 x 670
Control Panel Material :	Glass
Door Material :	Glass
Net weight (kg) :	40.466
Usable volume of cavity (l) :	71
Cooking method :	, 4D hot air, Bottom heat, Conventional heat, Defrost, Full width grill, Half width grill, Hot Air-Eco, Hot air grilling, low temperature cooking, Pizza setting, pre-heating, warming
First cavity material :	Enamelled
Temperature control :	electronic
Number of interior lights :	1
Approval certificates :	CE, VDE
Length electrical supply cord (cm) :	120
EAN code :	4242005131433
Number of cavities (2010/30/EC) :	1
Energy efficiency class (2010/30/EC) :	A
Energy consumption per cycle conventional (2010/30/EC) :	0.90
Energy consumption per cycle forced air convection (2010/30/EC) :	0.74
Energy efficiency index (2010/30/EC) :	87.1
Electrical connection rating (W) :	3600
Current (A) :	16
Voltage (V) :	220-240
Frequency (Hz) :	60; 50
Plug type :	no plug



4 242005 131433

Serie | 8 Ovens

HBG6753B1A

Built-in Oven

The Series 8 built-in oven: impressive design and results for any kitchen.

Heating Functions

- Oven with 13 heating methods:
 - 4D HotAir
 - 4D HotAir Eco
 - Top/bottom heating
 - Top/bottom heating Eco
 - Hot air grilling
 - Full width grill
 - Half width grill
 - Pizza setting
 - Bottom heating
 - Slow cooking
 - Defrost
 - Preheat ovenware
 - Keep warm
- Temperature range 30 °C - 300 °C
- Rapid heating-up

Sensor Technology & Automatic Programs

- Number of automatic programmes: 10 PC

Design

- TFT Touch Symbol Display
- Bosch Control Ring
- Drop down door, Oven door with SoftClose , SoftOpen
- Anthracite enamel cavity with 5 shelf positions
- Cavity volume: 71 net usable litres

Cleaning

- 3 Stage pyrolytic cleaning
- Pyrolytic proof trayholder and baking tray
- Full glass inner door

Convenience

- Automatic temperature proposal
 - Residual heat indicator
 - Actual temperature display
 - Sabbath mode
- 2 level telescopic shelf rails, fully extendable, safety stop function, pyrolytic proof
- Electronic clock/timer with end time programming
- Halogen lighting
- Info button
- Bar handle

Safety and Environment

- Quadruple glazed CoolTouch door
- Maximum door temperature 30° C
- Cooling fan
- Electronic door lock
 - Child lock function
 - Automatic safety switch off function
 - Residual heat indicator
 - start button
 - Door contact switch

2 year warranty

Accessories

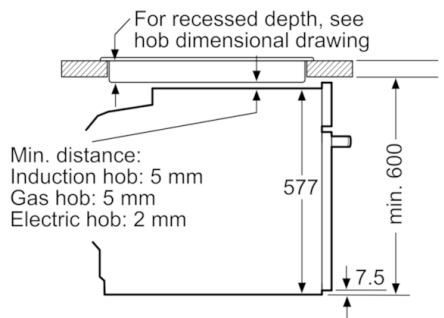
- 1 x grill tray, suit. pyrol. clean., 2 x combination grid, 1 x universal pan

Technical Info

- Appliance dimensions (HxWxD): 595 mm x 594 mm x 548 mm
- Installation dimensions (HxWxD): 585 mm - 595 mm x 560 mm - 568 mm x 550 mm
- Length of mains cable: 120 cm
- Nominal voltage: 220 - 240 V
- Total connected load electric: 3.6 KW

Serie | 8 Ovens**HBG6753B1A
Built-in Oven**

Installation with a hob.



measurements in mm