

FISHER & PAYKEL

PRELIMINARY SPECIFICATION GUIDE

BUILT-UNDER DISHWASHER, 60CM



OVERVIEW

This Dishwasher is designed to fit flush under the kitchen benchtop with a custom kickstrip. The elegant matte black glass finish and recessed handle create a streamlined look to fit any kitchen aesthetic. Flexible storage allows for easy stacking, while the combination of clever technology and simple mechanics means greater reliability and superior wash performance.

MODELS

Built Under Dishwasher, 15 Place Settings, Sanitise, Black Glass
DW60UZ6B

SERIES & STYLE

Series 7
Contemporary Style

FEATURES

- ① Designed to be built under the kitchen benchtop, fitting flush with cabinetry
- ② Contemporary styling with recessed handle for a streamlined look
- ③ Great wash performance with seven wash programs to suit any load*
- ④ Quick, Sanitise and Extra Dry modifiers provide extra wash options
- ⑤ Energy and water efficient, delivering a powerful wash with optimal results**
- ⑥ Flexible, adjustable storage for stacking large items with ease
- ⑦ ThermoDry technology removes moisture from the final rinse for efficient drying
- ⑧ Three stage filtration system
- ⑨ Runs at very low decibal rating for a quiet performance***
- ⑩ Energy saving Delay Start option up to 12 hours

*7 wash programs

**4 star energy and 5.5 star water ratings

***44 dBA

FISHER & PAYKEL

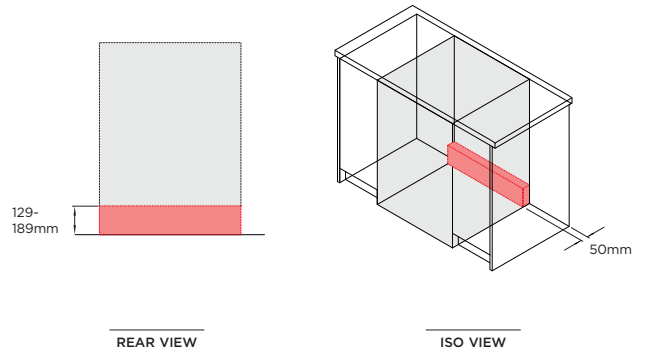
PRELIMINARY SPECIFICATION GUIDE

BUILT-UNDER DISHWASHER, 60CM

PRODUCT SPECIFICATIONS

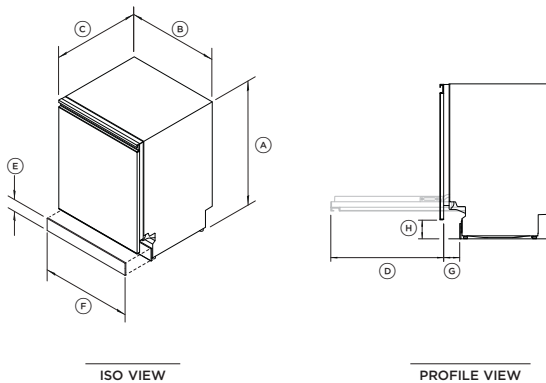
Model No.	DW60UZ6B
Dimensions	H 820 - 880mm W 598mm D 572mm
Weight	49kg
Electrical	
Supply	230 VAC, 60 Hz
Service	10 amp circuit
Receptacle	3-prong grounding-type
Plumbing	
Supply	6mm comp. stainless steel braided hose
Pressure	Min 150 kPa (22 psi) Max 827 kPa (120 psi) @ 20°C

PLUMBING AND ELECTRICAL

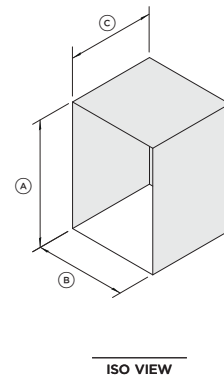


Service outlet at rear extends both sides, hoses and cords can be routed to either or both sides.

PRODUCT DIMENSIONS



CAVITY DIMENSIONS: STANDARD INSTALLATION



	mm
(A) Overall height*	820 - 880
(B) Overall width	598
(C) Overall depth	572
(D) Depth of open door	582
(E) Height of custom toekick panel**	80 - 165
(F) Width of custom toekick panel**	596 - 605
(G) Depth of custom toekick**	0 - 73
(H) Height from floor to door panel base*	100 - 160

	mm
(A) Overall height*	820 - 880
(B) Overall width	600 - 610
(C) Overall depth	min. 574

*Depending on adjustment of levelling feet

*Depending on adjustment of levelling feet

**A cosmetic toekick panel is supplied with the product, however we recommend using a custom toekick panel for installation.