

# FISHER & PAYKEL

## PRELIMINARY SPECIFICATION GUIDE

## BUILT-UNDER DISHWASHER, 60CM



### OVERVIEW

This Dishwasher is designed to fit flush under the kitchen benchtop, with a custom kickstrip for a seamless look. Available in sleek black or stainless steel finish with a handle to match our Contemporary style appliances. Flexible storage allows for easy stacking, while the combination of clever technology and simple mechanics means greater reliability and superior wash performance.

### MODELS

**Built Under Dishwasher, 15 Place Settings, Sanitise, Stainless Steel**  
DW60UD6X

**Built Under Dishwasher, 15 Place Settings, Sanitise, Black**  
DW60UD6B

### SERIES & STYLE

Series 7  
Contemporary Style

### FEATURES

- ① Designed to be built under the kitchen benchtop, fitting flush with cabinetry for a seamless look
- ② Complements our Contemporary style appliances
- ③ Great wash performance with seven wash programs to suit any load\*
- ④ Quick, Sanitise and Extra Dry modifiers provide extra wash options
- ⑤ Energy and water efficient, delivering a powerful wash with optimal results\*\*
- ⑥ Flexible, adjustable storage for stacking large items with ease
- ⑦ ThermoDry technology removes moisture from the final rinse for efficient drying
- ⑧ Three stage filtration system
- ⑨ Runs at very low decibal rating for a quiet performance\*\*\*
- ⑩ Energy saving Delay Start option up to 12 hours

\*7 wash programs

\*\*4 star energy and 5.5 star water ratings

\*\*\*44 dBA

# FISHER & PAYKEL

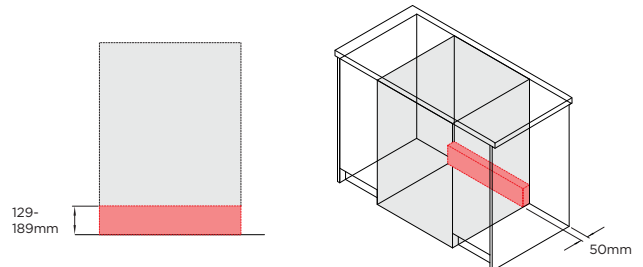
## PRELIMINARY SPECIFICATION GUIDE

## BUILT-UNDER DISHWASHER, 60CM

### PRODUCT SPECIFICATIONS

<b>Model No.</b>	DW60UD6X DW60UD6B
<b>Dimensions</b>	H 820 - 880mm W 598mm D 570mm
<b>Weight</b>	49kg
<b>Electrical</b>	
<b>Supply</b>	230 VAC, 60 Hz
<b>Service</b>	10 amp circuit
<b>Receptacle</b>	3-prong grounding-type
<b>Plumbing</b>	
<b>Supply</b>	6mm comp. stainless steel braided hose
<b>Pressure</b>	Min 150 kPa (22 psi) Max 827 kPa (120 psi) @ 20°C

### PLUMBING AND ELECTRICAL

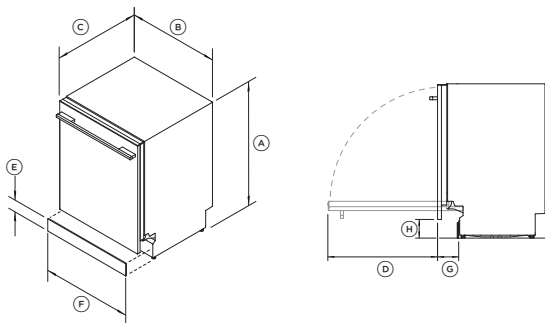


REAR VIEW

ISO VIEW

Service outlet at rear extends both sides, hoses and cords can be routed to either or both sides.

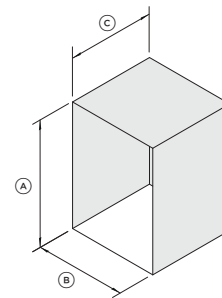
### PRODUCT DIMENSIONS



ISO VIEW

PROFILE VIEW

### CAVITY DIMENSIONS: STANDARD INSTALLATION



ISO VIEW

	mm
(A) Overall height*	820 - 880
(B) Overall width	598
(C) Overall depth	570
(D) Depth of open door	583
(E) Height of custom toekick panel**	80 - 165
(F) Width of custom toekick panel**	596 - 605
(G) Depth of custom toekick**	0 - 73
(H) Height from floor to door panel base*	100 - 160

\*Depending on adjustment of levelling feet

\*\*A cosmetic toekick panel is supplied with the product, however we recommend using a custom toekick panel for installation.

	mm
(A) Overall height*	820 - 880
(B) Overall width	600 - 610
(C) Overall depth	min. 574

\*Depending on adjustment of levelling feet